

Directional, 3-way Cartridges

*Powered by Sun **QuickPrint**,
your on-demand, customized catalogue solution.*

This information is subject to change without notice. Visit www.sunhydraulics.com for complete and up to date information.

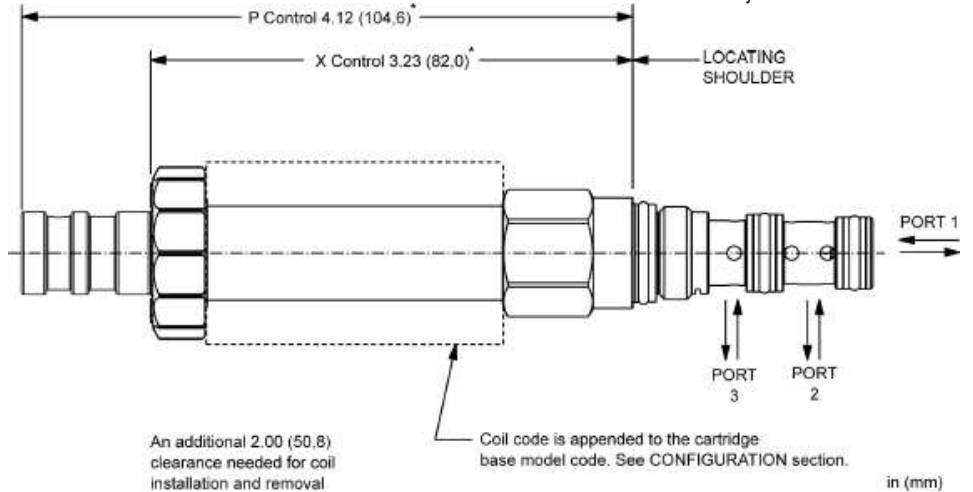
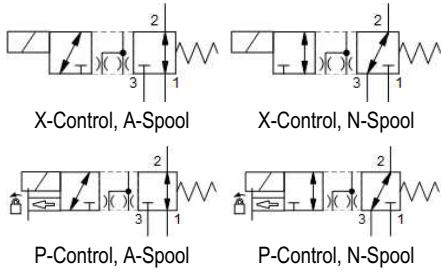
DMBD	FLeX Series 3-way, solenoid-operated directional spool valve - 3000 psi (210 bar)1
DMBF	FLeX Series 3-way, solenoid-operated directional spool valve2
DWBF	FLeX Series 3-way, direct-acting, solenoid-operated directional blocking poppet valve3
DWDF	3-way, direct-acting, solenoid-operated directional poppet valve (740 Series)4
DBAFS	3-way, soft shift, solenoid-operated directional spool valve - pilot capacity (740 Series)5
DWDM	3-way, manually operated, directional poppet valve6
DMDA	3-way, solenoid-operated directional spool valve7
DBAF	3-way solenoid-operated directional spool valve - pilot capacity (740 Series)8
DMDM	3-way, manually operated, directional spool valve9
DMDAS	3-way, soft shift, solenoid-operated directional spool valve10
DBAH	3-way, hydraulically operated, spool directional valve - pilot capacity11
DBAP	3-way, air-operated, spool directional valve - pilot capacity12
DPBP	3-way, pilot-operated, directional valve with drain to port 4 (1 to 2 open, 3 blocked)13
DPCP	3-way, pilot-operated, directional valve with drain to port 4 (1 to 2 open, 3 blocked)14
DRBP	3-way, direct-acting, directional valve with drain to port 4 (1 to 2 open, 3 blocked)15
DVBP	3-way, vent-to-operate, directional valve with drain to port 4 and integral T-8A control cavity (1 to 2 open, 3 blocked)16
DVCP	3-way, vent-to-operate, directional valve with drain to port 4 and integral T-8A control cavity (1 to 2 open, 3 blocked)17
DRBPX	3-way, direct-acting, fixed setting, directional valve with drain to port 4 (1 to 2 open, 3 blocked)18
DBAM	3-way, manually operated, spool directional valve - pilot capacity19
DRBR	3-way, direct-acting, directional valve with drain to port 4 (3 to 4 open, port 2 blocked)20
DRBRX	3-way, direct-acting, fixed setting, directional valve with drain to port 4 (3 to 4 open, port 2 blocked)21
DRCR	3-way, direct-acting, directional valve with drain to port 4 (3 to 4 open, port 2 blocked)22
DDDG	3-way, 2-position, pilot-to-shift, directional valve23

DDFG	3-way, 2-position, pilot-to-shift, directional valve24
DDHG	3-way, 2-position, pilot-to-shift, directional valve25
DRBN	3-way, direct-acting, directional valve with drain to port 4 - normally closed26
DPBC	3-way, pilot-operated, directional valve with internal drain to port 3 (1 blocked, 2 to 3 open)27
DPCC	3-way, pilot-operated, directional valve with internal drain to port 3 (1 blocked, 2 to 3 open)28
DRBC	3-way, direct-acting, directional valve with internal drain to port 3 (1 blocked, 2 to 3 open)29
DRCC	3-way, direct-acting, directional valve with internal drain to port 3 (1 blocked, 2 to 3 open)30
DVBC	3-way, vent-to-operate, directional valve with internal drain to port 3 and integral T-8A control cavity (1 blocked, 2 to 3 open)31
DVCC	3-way, vent-to-operate, directional valve with internal drain to port 3 and integral T-8A control cavity (1 blocked, 2 to 3 open)32
DPBD	3-way, pilot-operated, directional valve with internal drain to port 3 (1 to 2 open, 3 blocked)33
DPCD	3-way, pilot-operated, directional valve with internal drain to port 3 (1 to 2 open, 3 blocked)34
DRBD	3-way, direct-acting, directional valve with internal drain to port 3 (1 to 2 open, 3 blocked)35
DVBD	3-way, vent-to-operate, directional valve with internal drain to port 3 and integral T-8A control cavity (1 to 2 open, 3 blocked)36
DVCD	3-way, vent-to-operate, directional valve with internal drain to port 3 and integral T-8A control cavity (1 to 2 open, 3 blocked)37
DPBO	3-way, pilot-operated, directional valve with drain to port 4 (1 blocked, 2 to 3 open)38
DPCO	3-way, pilot-operated, directional valve with drain to port 4 (1 blocked, 2 to 3 open)39
DRBO	3-way, direct-acting, directional valve with drain to port 4 (1 blocked, 2 to 3 open)40
DRCO	3-way, direct-acting, directional valve with drain to port 4 (1 blocked, 2 to 3 open)41
DVBO	3-way, vent-to-operate, directional valve with drain to port 4 and integral T-8A control cavity (1 blocked, 2 to 3 open)42
DVCO	3-way, vent-to-operate, directional valve with drain to port 4 and integral T-8A control cavity (1 blocked, 2 to 3 open)43
DRBOX	3-way, direct-acting, fixed setting, directional valve with drain to port 4 (1 blocked, 2 to 3 open)44

Series	Ports	Cavities
Series Z Cartridges 3/8-24 UNF Cartridge Thread 5 mm Valve Hex Size 11 - 14 Nm Valve Installation Torque	3-Port	T-382A
Series P Cartridges M16 Cartridge Thread 22,2 mm Valve Hex Size 27 - 33 Nm Valve Installation Torque	2-Port 2-Port (Deep) 3-Port	T-8A T-8DP T-9A
Series 1C Cartridges 7/8-14 UNF Cartridge Thread 25,4 mm Valve Hex Size 23-26 lbf ft Valve Installation Torque	2-Port (Common) 3-Port (Common) 3-Port (Common) 4-Port (Common)	SC-10-02 SC-10-03 SC-22-03 SC-10-04
Series 0C Cartridges 3/4-16 UNF Cartridge Thread 22,2 mm Valve Hex Size 19-22 lbf ft Valve Installation Torque	2-Port (Common) 3-Port (Common)	SC-08-02 SC-08-03
Series 0 Cartridges M16 Cartridge Thread 19,1 mm Valve Hex Size 25,4 mm Valve Hex Size 27 - 33 Nm Valve Installation Torque	2-Port 2-Port (Deep) 3-Port 3-Port 4-Port	T-162A T-162DP T-150A T-163A T-30A
Series 1 Cartridges M20 Cartridge Thread 22,2 mm Valve Hex Size 41 - 47 Nm Valve Installation Torque	2-Port 2-Port 3-Port 4-Port 4-Port 6-Port	T-10A T-13A T-11A T-21A T-31A T-61A
Series 2 Cartridges 1"-14 UNS Cartridge Thread 28,6 mm Valve Hex Size 61 - 68 Nm Valve Installation Torque	2-Port 2-Port 3-Port 4-Port 4-Port 4-Port (Dual path) 6-Port 6-Port	T-3A T-5A T-2A T-22A T-32A T-52AD T-52A T-62A
Series 3 Cartridges M36 Cartridge Thread 31,8 mm Valve Hex Size 203 - 217 Nm Valve Installation Torque	2-Port 3-Port 4-Port 4-Port 4-Port (Dual path) 6-Port 6-Port	T-16A T-17A T-23A T-33A T-53AD T-53A T-63A
Series 4 Cartridges M48 Cartridge Thread 41,3 mm Valve Hex Size 474 - 508 Nm Valve Installation Torque	2-Port 2-Port (Undercut) 3-Port 3-Port (Undercut) 4-Port 4-Port (Undercut) 4-Port 4-Port (Dual path)	T-18A T-18AU T-19A T-19AU T-24A T-24AU T-34A T-54AD

6-Port
6-Port

T-54A
T-64A



This FLeX Series solenoid-operated 3-way, 2-position cartridge is a direct-acting, balanced spool directional valve.

TECHNICAL DATA

NOTE: DATA MAY VARY BY CONFIGURATION. SEE CONFIGURATION SECTION.

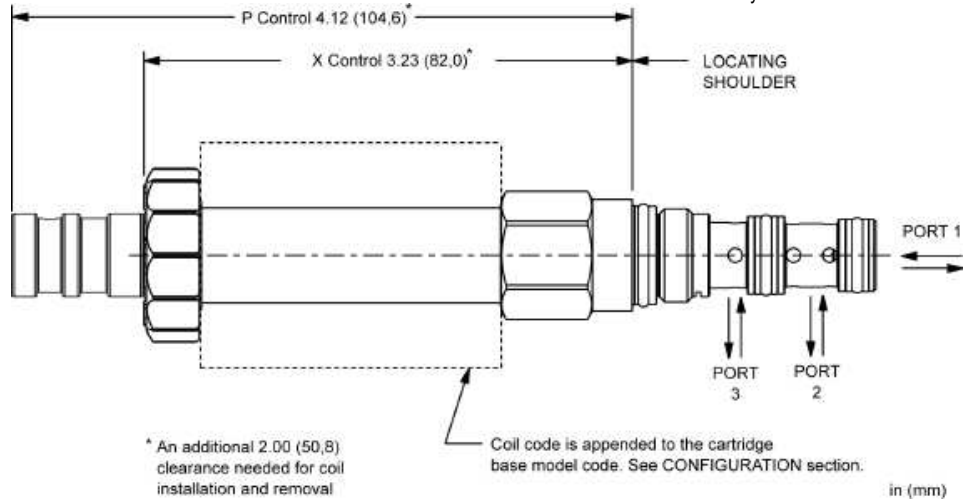
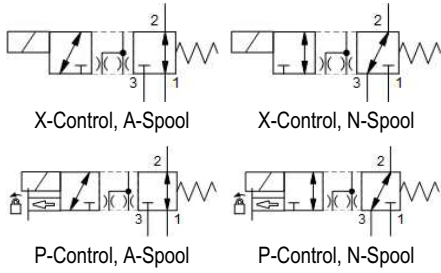
Maximum Operating Pressure	210 bar
Typical Valve Leakage at 110 SUS (24 cSt) from port 1 to port 3	50 cc/min.@210 bar
Response Time - Typical	50 ms
Switching Frequency	15,000 max. cycles/hr
Seal kit - Cartridge	Buna: 990150007
Seal kit - Cartridge	Viton: 990150006

- NOTES**
- Please verify cartridge clearance requirements when choosing a Sun manifold. Different valve controls and coils require different clearances.
 - An additional 2.00 inches (50,8 mm) beyond the valve extension is needed for coil installation and removal.

CONFIGURATION OPTIONS

Model Code Example: DMBDXAN

CONTROL	(X) SPOOL CONFIGURATION	(A) SEAL MATERIAL	(N) COIL *
X No Manual Override	A Normally Open 1 to 2, Closed 2 to 3	N Buna-N	No coil
P Manual Pull Override	N Normally Open 2 to 3, Closed 1 to 2	E EPDM	* Additional coil options are available
		V Viton	



This FLeX Series solenoid-operated 3-way, 2-position cartridge is a direct-acting, balanced spool directional valve.

TECHNICAL DATA

NOTE: DATA MAY VARY BY CONFIGURATION. SEE CONFIGURATION SECTION.

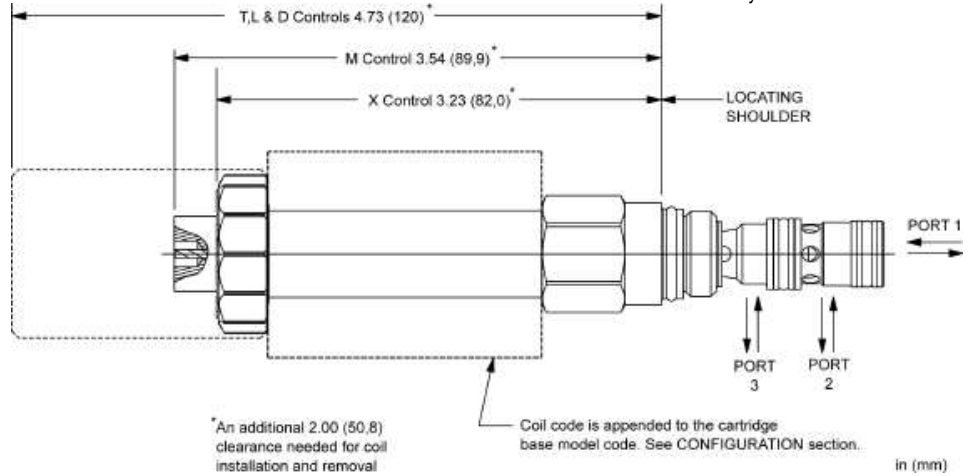
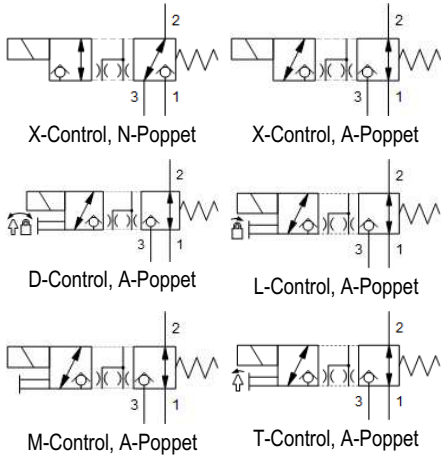
Maximum Operating Pressure	350 bar
Typical Valve Leakage at 110 SUS (24 cSt) Inlet on 1	164 cc/min.@350 bar
Typical Valve Leakage at 110 SUS (24 cSt) Inlet on 2 or 3	82 cc/min.@350 bar
Response Time - Typical	50 ms
Switching Frequency	15,000 max. cycles/hr
Seal kit - Cartridge	Buna: 990150007
Seal kit - Cartridge	Viton: 990150006

- NOTES**
- Please verify cartridge clearance requirements when choosing a Sun manifold. Different valve controls and coils require different clearances.
 - An additional 2.00 inches (50,8 mm) beyond the valve extension is needed for coil installation and removal.

CONFIGURATION OPTIONS

Model Code Example: DMBFXAN

CONTROL	(X) SPOOL CONFIGURATION	(A) SEAL MATERIAL	(N) COIL *
X No Manual Override	A Normally Open 1 to 2, Closed 1 to 3	N Buna-N	No coil
P Manual Pull Override	N Normally Open 2 to 3, Closed 1 to 2	E EPDM V Viton	* Additional coil options are available



This FLeX Series solenoid-operated 3-way, 2-position cartridge is a direct-acting, poppet-style directional valve.

Due to the poppet style construction, this valve has extremely low leakage.

TECHNICAL DATA

NOTE: DATA MAY VARY BY CONFIGURATION. SEE CONFIGURATION SECTION.

Maximum Operating Pressure	350 bar
Maximum Valve Leakage at 110 SUS (24 cSt)	0,07 cc/min. @350 bar
Response Time - Typical	50 ms
Switching Frequency	10,000 max. cycles/hr
U.S. Patent #	10,302,201
Seal kit - Cartridge	Buna: 990150007
Seal kit - Cartridge	Viton: 990150006

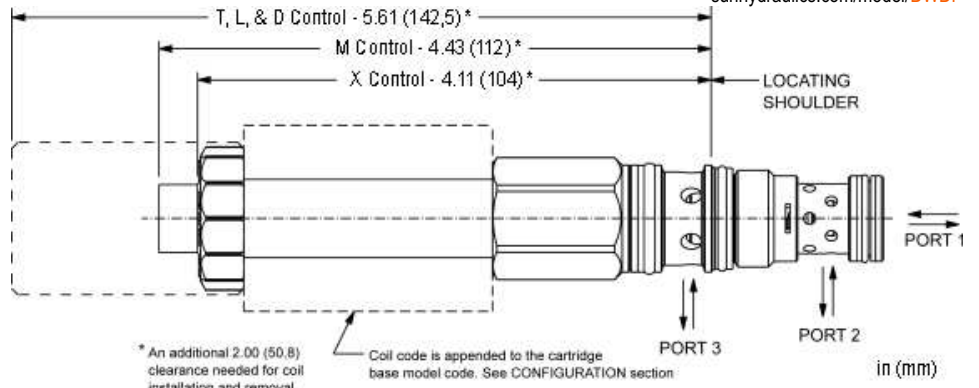
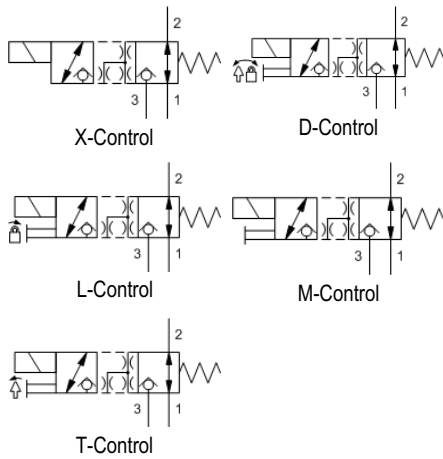
NOTES

- Please verify cartridge clearance requirements when choosing a Sun manifold. Different valve controls and coils require different clearances.
- An additional 2.00 inches (50,8 mm) beyond the valve extension is needed for coil installation and removal.
- Sun Hydraulics bases solenoid valve performance data on testing at maximum ambient temperature (50° C) and 15% undervoltage at stabilized current (580 mA). This ensures that our data represents valve performance under worst-case conditions.

CONFIGURATION OPTIONS

Model Code Example: DWBFXNN

CONTROL	(X)	POPPET CONFIGURATION	(N)	SEAL MATERIAL	(N)	COIL *
X No Manual Override		N Normally Open 2 to 3, Closed 1 to 2		N Buna-N		No coil
D Twist/Lock (Dual) Manual Override		A Normally Open 1 to 2, Closed 2 to 3		E EPDM		* Additional coil options are available
L Twist/Lock (Detent) Manual Override				V Viton		
M Manual Override						
T Twist (Momentary) Manual Override						



This solenoid-operated 3-way, 2-position cartridge is a direct-acting, poppet-style directional valve. The valve is normally open between port 1 and port 2 with port 3 blocked. Energizing the valve connects port 2 to 3 and blocks port 1. All flow paths are bidirectional and blocked paths are blocked in both directions. Due to the poppet style construction, this valve has extremely low leakage.

This valve is designed to be used with 740 and 747 Series coils.

TECHNICAL DATA

NOTE: DATA MAY VARY BY CONFIGURATION. SEE CONFIGURATION SECTION.

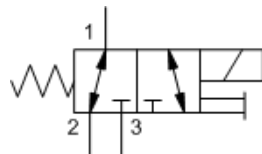
Maximum Operating Pressure	350 bar
Maximum Valve Leakage at 110 SUS (24 cSt)	0,7 cc/min.@350 bar
Manual Override Force Requirement	33 N/100 bar @ Port 1
Manual Override Stroke	2,5 mm
Response Time - Typical	50 ms
Switching Frequency	15,000 max. cycles/hr
Seal kit - Cartridge	Buna: 990411007
Seal kit - Cartridge	Viton: 990411006

- NOTES**
- Please verify cartridge clearance requirements when choosing a Sun manifold. Different valve controls and coils require different clearances.
 - An additional 2.00 inches (50,8 mm) beyond the valve extension is needed for coil installation and removal.

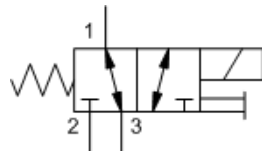
CONFIGURATION OPTIONS

Model Code Example: DWDFXAN

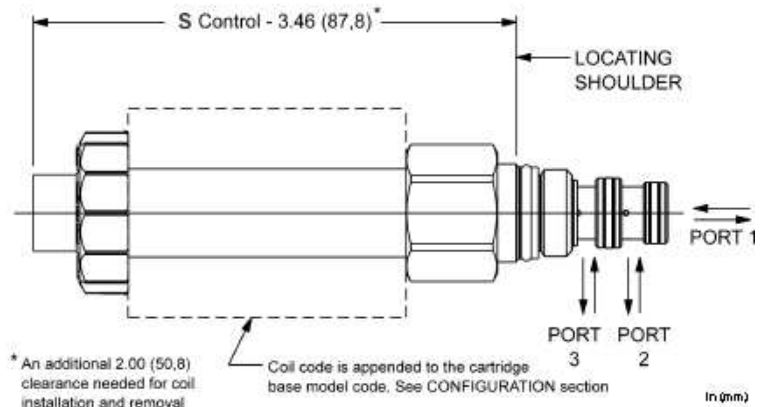
CONTROL	(X) POPPET CONFIGURATION	(A) SEAL MATERIAL	(N) COIL *
X No Manual Override	A Normally Open 1 to 2, Closed 2 to 3	N Buna-N	No coil
D Twist/Lock (Dual) Manual Override		E EPDM	* Additional coil options are available
L Twist/Lock (Detent) Manual Override		V Viton	
M Manual Override			
T Twist (Momentary) Manual Override			



M-Control, H-Spool



M-Control, C-Spool



This solenoid-operated 3-way, 2-position cartridge is a direct-acting, balanced spool pilot valve used to pilot other full-flow valves. The valve is normally open between port 1 and port 2 or port 1 and port 3 and all flow paths are bidirectional.

This valve is designed to be used with 740 and 747 Series coils.

TECHNICAL DATA

NOTE: DATA MAY VARY BY CONFIGURATION. SEE CONFIGURATION SECTION.

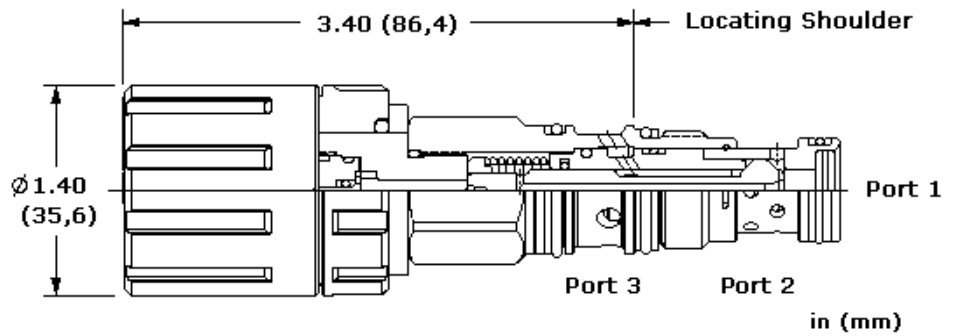
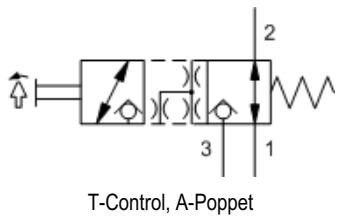
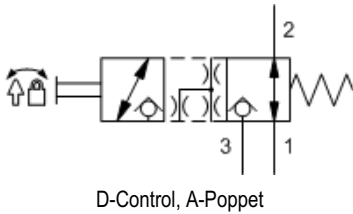
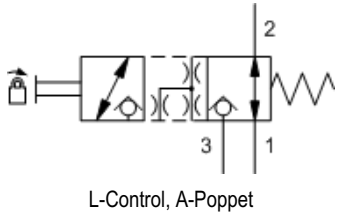
Maximum Operating Pressure	350 bar
Maximum Valve Leakage at 110 SUS (24 cSt)	0,7 cc/min.@350 bar
Manual Override Force Requirement	66 N/100 bar @ Port 1
Manual Override Stroke	2,5 mm
Seal kit - Cartridge	Buna: 990009007
Seal kit - Cartridge	Polyurethane: 990009002
Seal kit - Cartridge	Viton: 990009006

NOTES Please verify cartridge clearance requirements when choosing a Sun manifold. Different valve controls and coils require different clearances.

CONFIGURATION OPTIONS
Model Code Example: DBAFSHN

POPPET CONFIGURATION	(H)	SEAL MATERIAL	(N)	COIL *
H Normally Open		N Buna-N		No coil
C Normally Closed		V Viton		

* Additional coil options are available



This manually operated, 2-position, 3-way directional cartridge is a direct-acting, poppet-style valve used to control the direction of flow in a hydraulic circuit. The valve is normally open between port 1 and port 2 with port 3 blocked. Operating the valve connects port 2 to 3 and blocks port 1. All flow paths are bidirectional and blocked paths are blocked in both directions. Due to the poppet style construction, this valve has extremely low leakage.

Manual operation is achieved via Sun's Twist/Lock manual override mechanism and is designed for intermittent (infrequent) use only.

TECHNICAL DATA

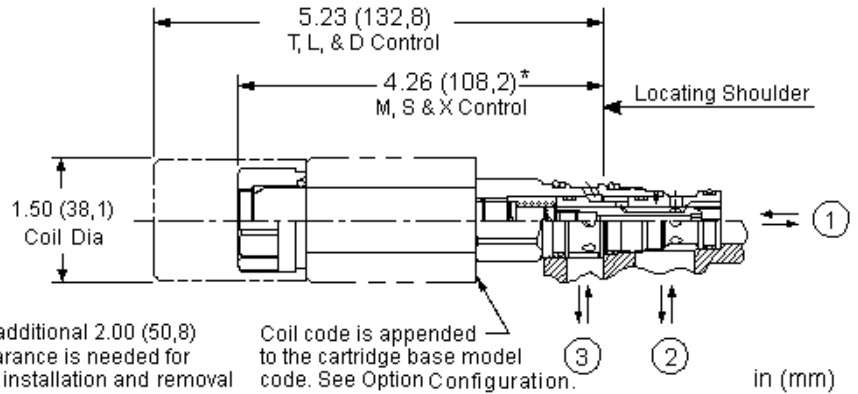
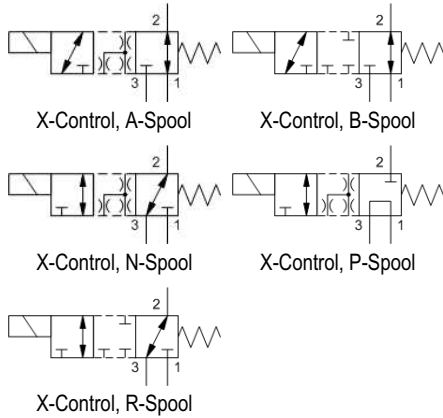
NOTE: DATA MAY VARY BY CONFIGURATION. SEE CONFIGURATION SECTION.

Maximum Operating Pressure	350 bar
Maximum Valve Leakage at 110 SUS (24 cSt)	0,7 cc/min. @350 bar
Operating Torque	1,2 Nm
Seal kit - Cartridge	Buna: 990411007
Seal kit - Cartridge	Viton: 990411006

CONFIGURATION OPTIONS

Model Code Example: DWDMLAN

CONTROL	(L) POPPET CONFIGURATION	(A) SEAL MATERIAL	(N)
L Twist/Lock (Detent) Manual Override	A Normally Open 1 to 2, Closed 2 to 3	N Buna-N	
D Twist/Lock (Dual) Manual Override		E EPDM	
T Twist (Momentary) Manual Override		V Viton	



This solenoid-operated 3-way, 2-position cartridge is a direct-acting, balanced spool directional valve.

TECHNICAL DATA

NOTE: DATA MAY VARY BY CONFIGURATION. SEE CONFIGURATION SECTION.

Maximum Operating Pressure	350 bar
Maximum Valve Leakage at 110 SUS (24 cSt)	80 cc/min.@210 bar
Manual Override Force Requirement	33 N/100 bar @ Port 1
Manual Override Stroke	2,5 mm
Response Time - Typical	50 ms
Switching Frequency	15,000 max. cycles/hr
Seal kit - Cartridge	Buna: 990411007
Seal kit - Cartridge	EPDM: 990411014
Seal kit - Cartridge	Viton: 990411006

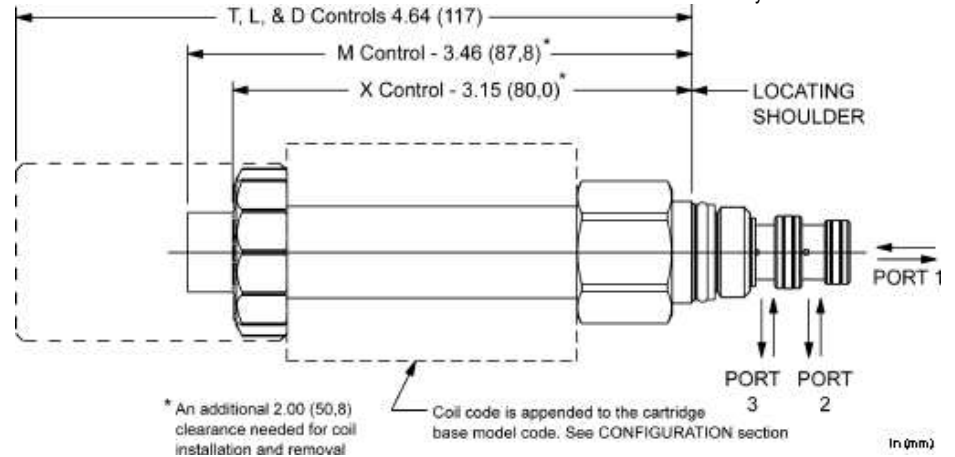
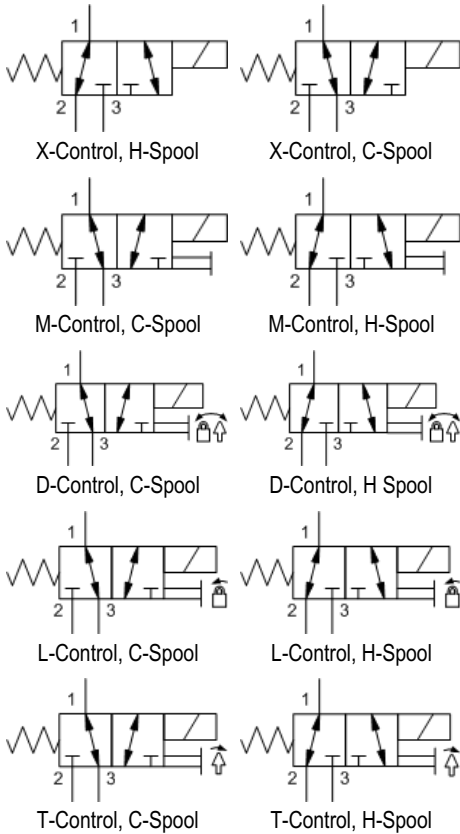
- NOTES**
- Please verify cartridge clearance requirements when choosing a Sun manifold. Different valve controls and coils require different clearances.
 - An additional 2.00 inches (50,8 mm) beyond the valve extension is needed for coil installation and removal.

CONFIGURATION OPTIONS

Model Code Example: DMDAXAN

CONTROL	(X) SPOOL CONFIGURATION	(A) SEAL MATERIAL	(N) COIL *
X No Manual Override	A Normally Open 1 to 2, Closed 2 to 3	N Buna-N	No coil
M Manual Override	N Normally Open 2 to 3, Closed 1 to 2	E EPDM	212 DIN 43650-Form A, 12 VDC
D Twist/Lock (Dual) Manual Override	B Normally Open 1 to 2, Closed 2 to 3, Closed Transition	V Viton	224 DIN 43650-Form A, 24 VDC
L Twist/Lock (Detent) Manual Override	P Normally Open 1 to 3, Closed 1 to 2		912 Deutsch DT04-2P, 12 VDC
T Twist (Momentary) Manual Override	R Normally Open 2 to 3, Closed 1 to 2, Closed Transition		924 Deutsch DT04-2P, 24 VDC

* Additional coil options are available



This solenoid-operated 3-way, 2-position cartridge is a direct-acting, balanced spool pilot valve used to pilot other full-flow valves. The valve is normally open between port 1 and port 2 or port 1 and port 3 and all flow paths are bidirectional.

This valve is designed to be used with 740 and 747 Series coils.

TECHNICAL DATA

NOTE: DATA MAY VARY BY CONFIGURATION. SEE CONFIGURATION SECTION.

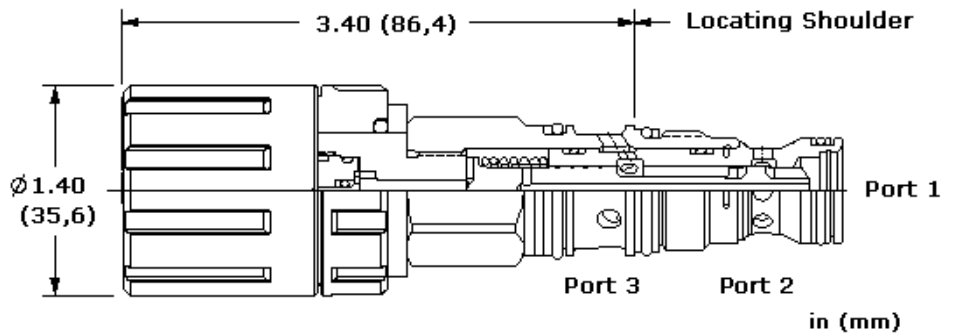
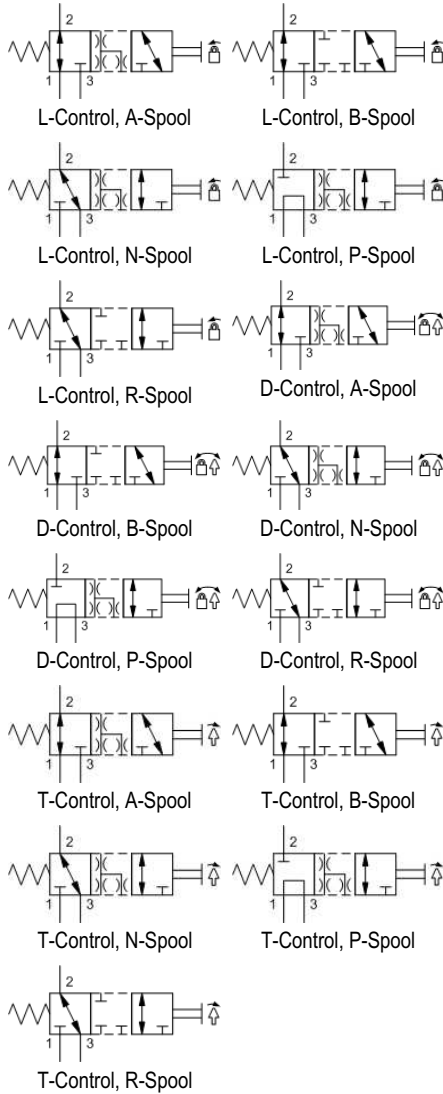
Maximum Operating Pressure	350 bar
Maximum Valve Leakage at 110 SUS (24 cSt)	0,7 cc/min. @350 bar
Manual Override Force Requirement	66 N/100 bar @ Port 1
Manual Override Stroke	2,5 mm
Response Time - Typical	50 ms
Switching Frequency	15,000 max. cycles/hr
Seal kit - Cartridge	Buna: 990009007
Seal kit - Cartridge	EPDM: 990009014
Seal kit - Cartridge	Polyurethane: 990009002
Seal kit - Cartridge	Viton: 990009006

- NOTES**
- Please verify cartridge clearance requirements when choosing a Sun manifold. Different valve controls and coils require different clearances.
 - An additional 2.00 inches (50,8 mm) beyond the valve extension is needed for coil installation and removal.

CONFIGURATION OPTIONS

Model Code Example: **DBAFXHN**

CONTROL	(X) SPOOL CONFIGURATION	(H) SEAL MATERIAL	(N) COIL *
X No Manual Override	H Normally Open	N Buna-N	No coil
D Twist/Lock (Dual) Manual Override	C Normally Closed	E EPDM	* Additional coil options are available
L Twist/Lock (Detent) Manual Override		V Viton	
M Manual Override (Standard)			
T Twist (Momentary) Manual Override			



This manually operated, 2-position, 3-way directional cartridge is a direct-acting, balanced spool valve used to control the direction of flow in a hydraulic circuit. Manual operation is achieved via Sun's Twist/Lock manual override mechanism and is designed for intermittent (infrequent) use only.

TECHNICAL DATA

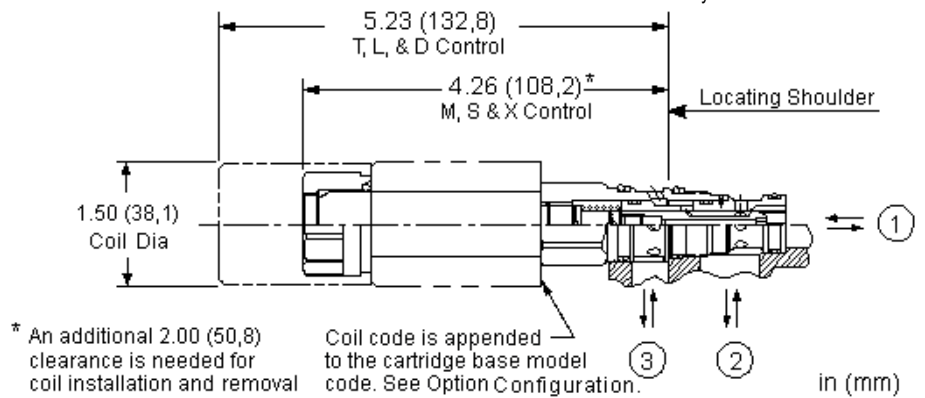
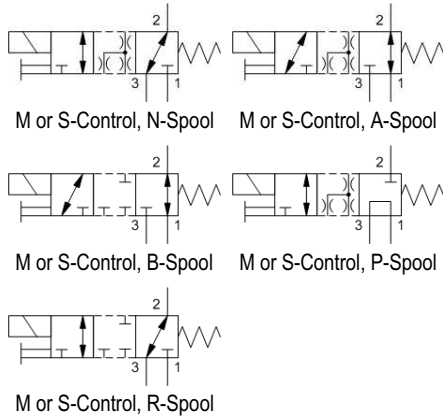
NOTE: DATA MAY VARY BY CONFIGURATION. SEE CONFIGURATION SECTION.

Maximum Operating Pressure	350 bar
Maximum Valve Leakage at 110 SUS (24 cSt)	80 cc/min.@210 bar
Operating Torque	1,2 Nm
Seal kit - Cartridge	Buna: 990411007
Seal kit - Cartridge	Viton: 990411006

CONFIGURATION OPTIONS

Model Code Example: **DMDMLAN**

CONTROL	(L)	SPOOL CONFIGURATION	(A)	SEAL MATERIAL	(N)
L Twist/Lock (Detent) Manual Override		A Normally Open 1 to 2, Closed 2 to 3		N Buna-N	
D Twist/Lock (Dual) Manual Override		B Normally Open 1 to 2, Closed 2 to 3, Closed Transition		V Viton	
T Twist (Momentary) Manual Override		N Normally Open 2 to 3, Closed 1 to 2			
		P Normally Open 1 to 3, Closed 1 to 2			
		R Normally Open 2 to 3, Closed 1 to 2, Closed Transition			



This solenoid-operated 3-way, 2-position cartridge is a direct-acting, balanced spool directional valve.

TECHNICAL DATA

NOTE: DATA MAY VARY BY CONFIGURATION. SEE CONFIGURATION SECTION.

Maximum Operating Pressure	350 bar
Maximum Valve Leakage at 110 SUS (24 cSt)	80 cc/min.@210 bar
Manual Override Force Requirement	33 N/100 bar @ Port 1
Manual Override Stroke	2,5 mm
Seal kit - Cartridge	Buna: 990411007
Seal kit - Cartridge	EPDM: 990411014
Seal kit - Cartridge	Viton: 990411006

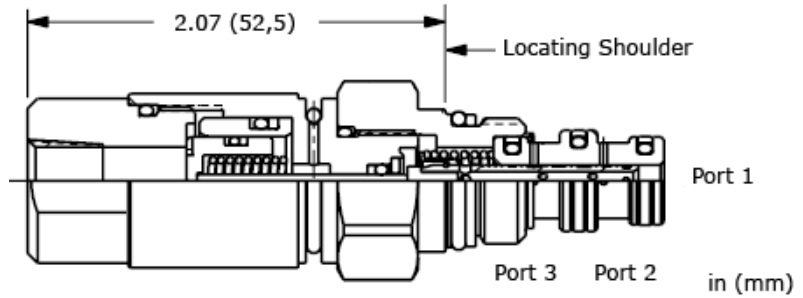
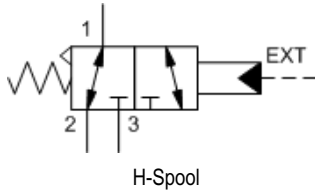
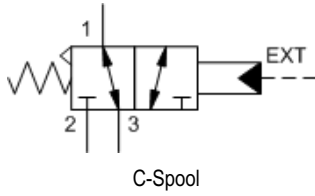
- NOTES**
- Please verify cartridge clearance requirements when choosing a Sun manifold. Different valve controls and coils require different clearances.
 - An additional 2.00 inches (50,8 mm) beyond the valve extension is needed for coil installation and removal.

CONFIGURATION OPTIONS

Model Code Example: DMDASNN

SPOOL CONFIGURATION	(N)	SEAL MATERIAL	(N)	COIL *
N Normally Open 2 to 3, Closed 1 to 2	N	Buna-N		No coil
A Normally Open 1 to 2, Closed 2 to 3	E	EPDM		212 DIN 43650-Form A, 12 VDC
B Normally Open 1 to 2, Closed 2 to 3, Closed Transition	V	Viton		224 DIN 43650-Form A, 24 VDC
P Normally Open 1 to 3, Closed 1 to 2				912 Deutsch DT04-2P, 12 VDC
R Normally Open 2 to 3, Closed 1 to 2, Closed Transition				924 Deutsch DT04-2P, 24 VDC

* Additional coil options are available



These pilot-stage, directional, 2-position, 3-way valves are hydraulically operated, spring-return cartridges and are available in two spool configurations; normally open 1 to 2 and normally open 1 to 3. These cartridges are designed for pilot flow applications.

TECHNICAL DATA

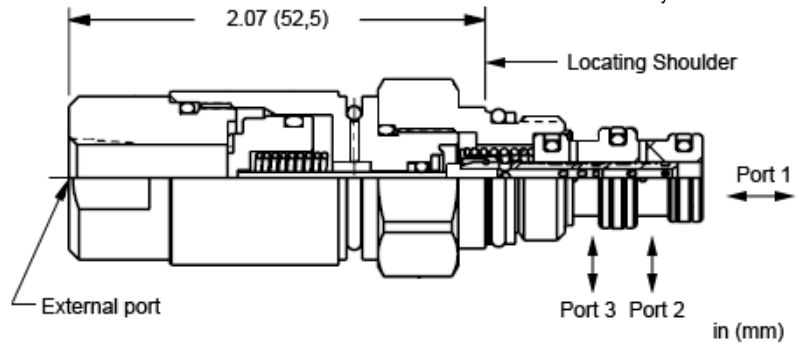
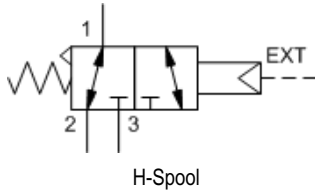
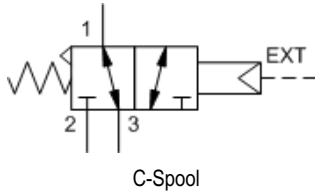
NOTE: DATA MAY VARY BY CONFIGURATION. SEE CONFIGURATION SECTION.

Maximum Operating Pressure	350 bar
Maximum Valve Leakage at 110 SUS (24 cSt)	0,7 cc/min.@350 bar
Minimum Pilot Pressure to Operate	See Technical Features
Pilot Control Port	See Control Options
Seal kit - Cartridge	Buna: 990509007
Seal kit - Cartridge	Viton: 990509006

CONFIGURATION OPTIONS

Model Code Example: DBAHBCN

CONTROL	(B) SPOOL CONFIGURATION	(C) SEAL MATERIAL	(N) MATERIAL/COATING
B External 4-SAE Port	C Normally Open 1 to 3, Closed 1 to 2	N Buna-N	Standard Material/Coating
A External 1/8 NPTF Port	H Normally Open 1 to 2, Closed 1 to 3	V Viton	/AP Stainless Steel, Passivated
D External 1/8 BSPP Port			



These pilot-stage, directional, 2-position, 3-way valves are pneumatically operated, spring-return cartridges and are available in two spool configurations; normally open 1 to 2 and normally open 1 to 3.

TECHNICAL DATA

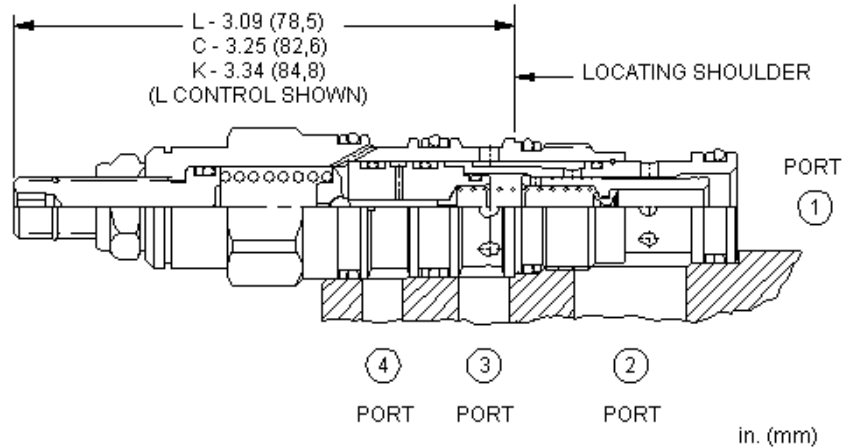
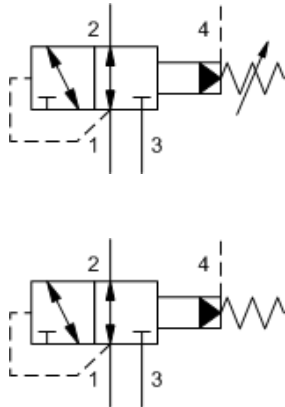
NOTE: DATA MAY VARY BY CONFIGURATION. SEE CONFIGURATION SECTION.

Maximum Operating Pressure	350 bar
Maximum Valve Leakage at 110 SUS (24 cSt)	0,7 cc/min.@350 bar
Minimum Pilot Pressure to Operate	1,5 [+ port 1 press./100] bar
Pilot Control Port	See Control Options
Seal kit - Cartridge	Buna: 990509007
Seal kit - Cartridge	Viton: 990509006

CONFIGURATION OPTIONS

Model Code Example: DBAPFCN

CONTROL	(F) SPOOL CONFIGURATION	(C) SEAL MATERIAL	(N) MATERIAL/COATING
F External 1/8 NPTF Port	C Normally Open 1 to 3, Closed 1 to 2	N Buna-N	Standard Material/Coating
E External 4- <small>SAE</small> Port	H Normally Open 1 to 2, Closed 1 to 3	E EPDM	/AP Stainless Steel, Passivated
P External 1/8 BSPP Port		V Viton	



Pilot-operated, 3-way directional cartridges (1 to 2 open, 3 blocked) are switching devices typically used in moderate flow circuits. They can be used by themselves or to actuate larger pilot operated directional cartridges or logic cartridges. The valve shifts when the pressure differential between port 1 and port 4 exceeds the setting.

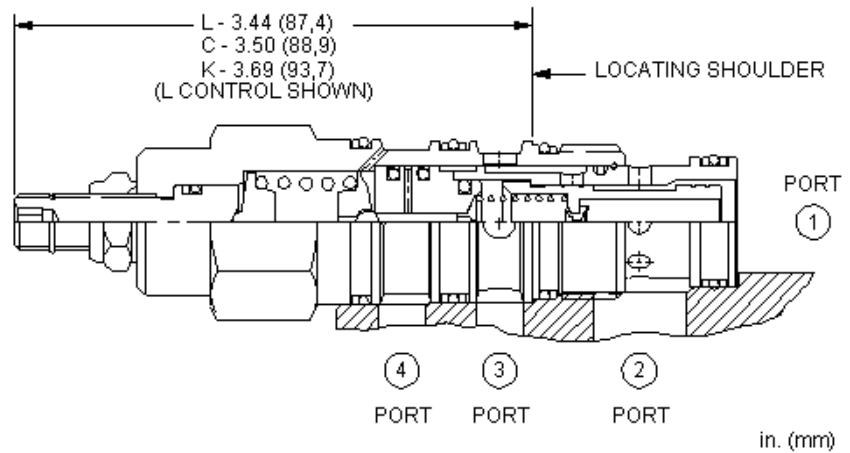
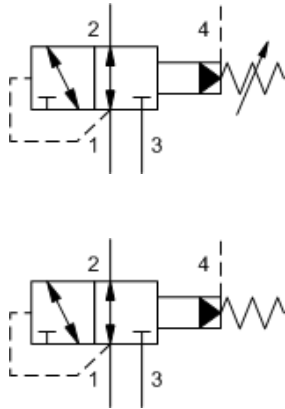
TECHNICAL DATA

NOTE: DATA MAY VARY BY CONFIGURATION. SEE CONFIGURATION SECTION.

Factory Pressure Settings Established at	15 L/min.
Maximum Operating Pressure	350 bar
Control Pilot Flow	0,11 - 0,16 L/min.
Maximum Valve Leakage at 110 SUS (24 cSt)	15 cc/min.@70 bar
Adjustment - No. of CW Turns from Min. to Max. setting	5
Locknut Hex Size	15 mm
Locknut Torque	9 - 10 Nm
Seal kit - Cartridge	Buna: 990021007
Seal kit - Cartridge	EPDM: 990021014
Seal kit - Cartridge	Polyurethane: 990021002
Seal kit - Cartridge	Viton: 990021006

CONFIGURATION OPTIONS
Model Code Example: DPBPLAN

CONTROL	(L) ADJUSTMENT RANGE	(A) SEAL MATERIAL	(N) MATERIAL/COATING
L Standard Screw Adjustment	A 100 - 3000 psi (7 - 210 bar), 1000 psi (70 bar) Standard Setting	N Buna-N	Standard Material/Coating
C Tamper Resistant - Factory Set	B 50 - 1500 psi (3,5 - 105 bar), 1000 psi (70 bar) Standard Setting	E EPDM	/LH Mild Steel, Zinc-Nickel
K Handknob	D 25 - 800 psi (1,7 - 55 bar), 400 psi (28 bar) Standard Setting	V Viton	
	E 25 - 400 psi (1,7 - 28 bar), 200 psi (14 bar) Standard Setting		
	J 25 - 1500 psi (1,7 - 105 bar), 1000 psi (70 bar) Standard Setting		
	W 150 - 4500 psi (10,5 - 315 bar), 1000 psi (70 bar) Standard Setting		



Pilot-operated, 3-way directional cartridges (1 to 2 open, 3 blocked) are switching devices typically used in moderate flow circuits. They can be used by themselves or to actuate larger pilot operated directional cartridges or logic cartridges. The valve shifts when the pressure differential between port 1 and port 4 exceeds the setting.

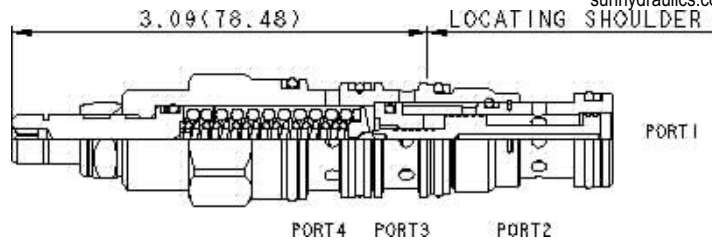
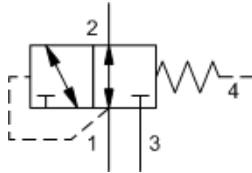
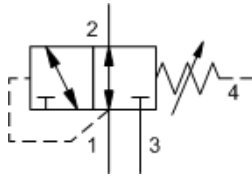
TECHNICAL DATA

NOTE: DATA MAY VARY BY CONFIGURATION. SEE CONFIGURATION SECTION.

Factory Pressure Settings Established at	15 L/min.
Maximum Operating Pressure	350 bar
Control Pilot Flow	0,16 - 0,25 L/min.
Maximum Valve Leakage at 110 SUS (24 cSt)	15 cc/min.@70 bar
Adjustment - No. of CW Turns from Min. to Max. setting	5
Locknut Hex Size	15 mm
Locknut Torque	9 - 10 Nm
Seal kit - Cartridge	Buna: 990022007
Seal kit - Cartridge	Polyurethane: 990022002
Seal kit - Cartridge	Viton: 990022006

CONFIGURATION OPTIONS
Model Code Example: DPCPLAN

CONTROL	(L)	ADJUSTMENT RANGE	(A)	SEAL MATERIAL	(N)
L Standard Screw Adjustment	A	100 - 3000 psi (7 - 210 bar), 1000 psi (70 bar) Standard Setting	N	Buna-N	
C Tamper Resistant - Factory Set	B	50 - 1500 psi (3,5 - 105 bar), 1000 psi (70 bar) Standard Setting	E	EPDM	
K Handknob	D	25 - 800 psi (1,7 - 55 bar), 400 psi (28 bar) Standard Setting	V	Viton	
	E	25 - 400 psi (1,7 - 28 bar), 200 psi (14 bar) Standard Setting			
	W	150 - 4500 psi (10,5 - 315 bar), 1000 psi (70 bar) Standard Setting			



Direct-acting, 3-way directional cartridges (1 to 2 open, 3 blocked) are switching devices typically used in moderate flow circuits. They can be used by themselves or to actuate larger pilot operated directional cartridges or logic cartridges. The valve shifts when the pressure differential between port 1 and port 4 exceeds the setting.

TECHNICAL DATA

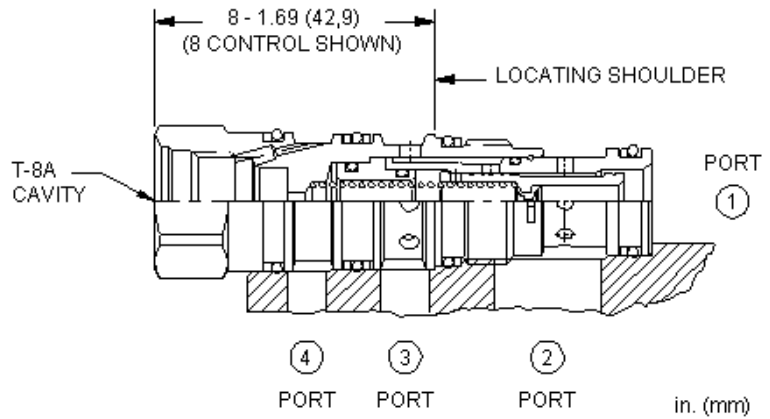
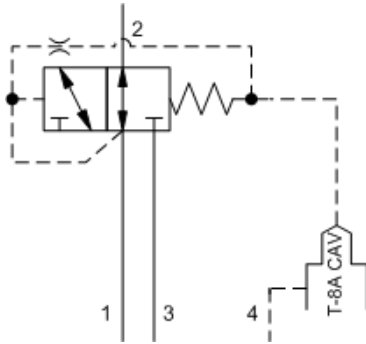
NOTE: DATA MAY VARY BY CONFIGURATION. SEE CONFIGURATION SECTION.

Factory Pressure Settings Established at	15 L/min.
Maximum Operating Pressure	350 bar
Maximum Valve Leakage at 110 SUS (24 cSt)	30 cc/min.
Adjustment - No. of CW Turns from Min. to Max. setting	5
Locknut Hex Size	15 mm
Locknut Torque	9 - 10 Nm
Seal kit - Cartridge	Buna: 990021007
Seal kit - Cartridge	Polyurethane: 990021002
Seal kit - Cartridge	Viton: 990021006

NOTES For Series 1 cartridges configured with an O control (panel mount handknob), a .75 in. (19 mm) diameter hole is required in the panel.

CONFIGURATION OPTIONS
Model Code Example: DRBPLAN

CONTROL	(L)	ADJUSTMENT RANGE	(A)	SEAL MATERIAL	(N)
L Standard Screw Adjustment		A 500 - 3000 psi (35 - 210 bar), 1000 psi (70 bar) Standard Setting		N Buna-N	
C Tamper Resistant - Factory Set				V Viton	
K Handknob		B 50 - 1500 psi (3.5 - 105 bar), 200 psi (14 bar) Standard Setting			
O Handknob with Panel Mount		D 25 - 800 psi (1.7 - 55 bar), 200 psi (14 bar) Standard Setting			
		E 25 - 400 psi (1.7 - 28 bar), 200 psi (14 bar) Standard Setting			
		S 25 - 200 psi (1.7 - 14 bar), 100 psi (7 bar) Standard Setting			
		W 750 - 4500 psi (50 - 315 bar), 1000 psi (70 bar) Standard Setting			



This valve is a, 3-way directional cartridge (1 to 2 open, 3 blocked) that incorporates an integral pilot control cavity. It may be used by itself or to actuate larger pilot-operated directional cartridges or logic elements. The valve shifts when there is flow through the pilot control cartridge installed in the T-8A cavity.

TECHNICAL DATA

NOTE: DATA MAY VARY BY CONFIGURATION. SEE CONFIGURATION SECTION.

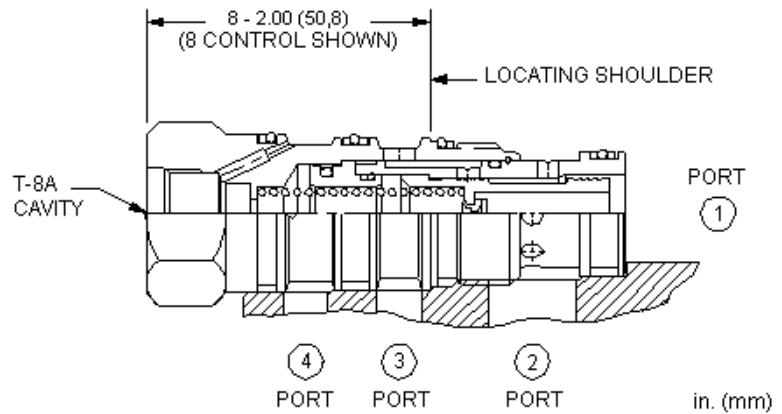
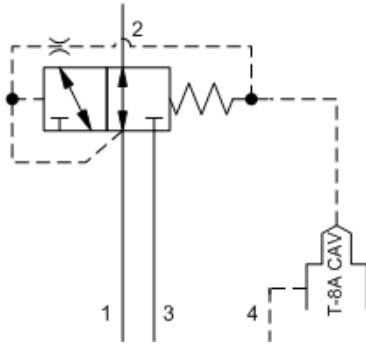
Maximum Operating Pressure	350 bar
Control Pilot Flow	0,11 - 0,16 L/min.
Maximum Valve Leakage at 110 SUS (24 cSt)	30 cc/min.@70 bar
Pilot Control Cavity	T-8A
Seal kit - Cartridge	Buna: 990021007
Seal kit - Cartridge	Polyurethane: 990021002
Seal kit - Cartridge	Viton: 990021006

NOTES Compound cartridge (pilot and main stage) assembly information is provided for reference only. Cartridges must be ordered separately and assembled at point of use.

CONFIGURATION OPTIONS

Model Code Example: **DVBP8FN**

CONTROL	(8)	MINIMUM CONTROL PRESSURE	(F)	SEAL MATERIAL	(N)
8 T-8A Cavity		F 100 psi (7 bar)		N Buna-N V Viton	



This valve is a 3-way directional cartridge (1 to 2 open, 3 blocked) that incorporates an integral pilot control cavity. It may be used by itself or to actuate larger pilot-operated directional cartridges or logic elements. The valve shifts when there is flow through the pilot control cartridge installed in the T-8A cavity.

TECHNICAL DATA

NOTE: DATA MAY VARY BY CONFIGURATION. SEE CONFIGURATION SECTION.

Maximum Operating Pressure	350 bar
Control Pilot Flow	0,11 - 0,16 L/min.
Maximum Valve Leakage at 110 SUS (24 cSt)	30 cc/min.@70 bar
Pilot Control Cavity	T-8A
Seal kit - Cartridge	Buna: 990022007
Seal kit - Cartridge	Polyurethane: 990022002
Seal kit - Cartridge	Viton: 990022006

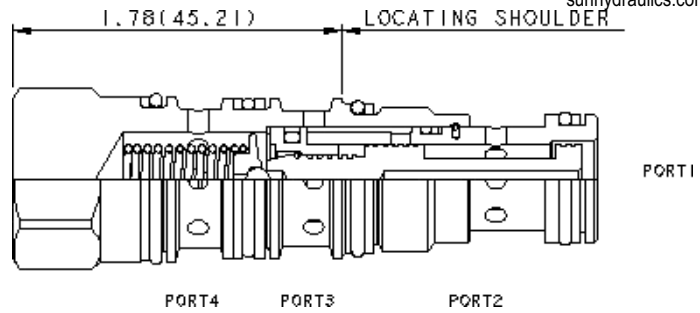
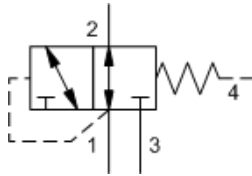
NOTES

Compound cartridge (pilot and main stage) assembly information is provided for reference only. Cartridges must be ordered separately and assembled at point of use.

CONFIGURATION OPTIONS

Model Code Example: DVCP8FN

CONTROL	(8)	MINIMUM CONTROL PRESSURE	(F)	SEAL MATERIAL	(N)
8 T-8A Cavity		F 100 psi (7 bar)		N Buna-N V Viton	



Direct-acting, 3-way directional cartridges (1 to 2 open, 3 blocked) are switching devices typically used in moderate flow circuits. They can be used by themselves or to actuate larger pilot operated directional cartridges or logic cartridges. The valve shifts when the pressure differential between port 1 and port 4 exceeds the setting.

TECHNICAL DATA

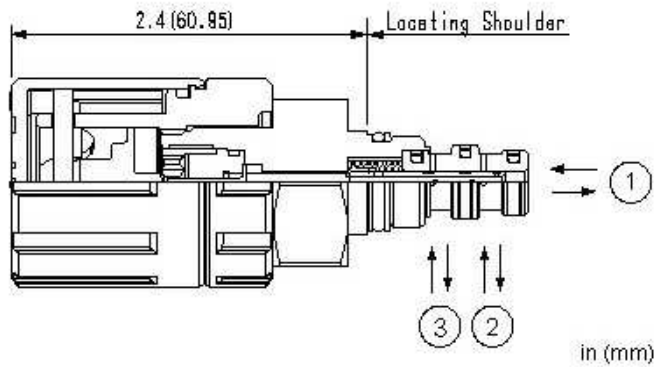
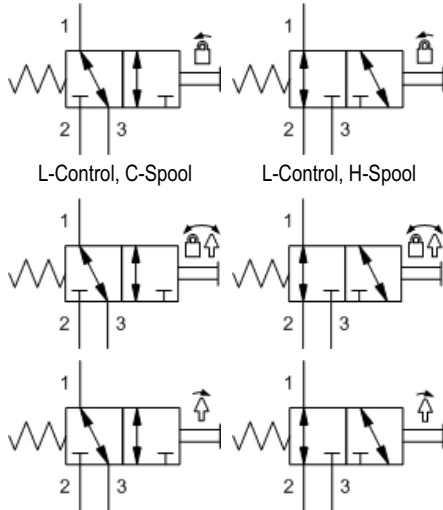
NOTE: DATA MAY VARY BY CONFIGURATION. SEE CONFIGURATION SECTION.

Factory Pressure Settings Established at	15 L/min.
Maximum Operating Pressure	350 bar
Maximum Valve Leakage at 110 SUS (24 cSt)	30 cc/min.
Seal kit - Cartridge	Buna: 990021007
Seal kit - Cartridge	Polyurethane: 990021002
Seal kit - Cartridge	Viton: 990021006

CONFIGURATION OPTIONS

Model Code Example: DRBPXFN

SHIFTING PRESSURE _____ (F)	SEAL MATERIAL _____ (N)
F 100 psi (7 bar)	N Buna-N
	V Viton



These pilot-stage, directional, 2-position, 3-way valves are manually operated cartridges and are available in two spool configurations; normally open 1 to 2 and normally open 1 to 3. These cartridges are designed for pilot flow applications. Manual operation is achieved via Sun's Twist/Lock manual override mechanism and is designed for intermittent (infrequent) use only.

TECHNICAL DATA

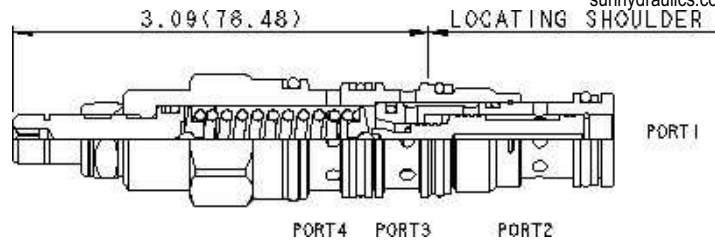
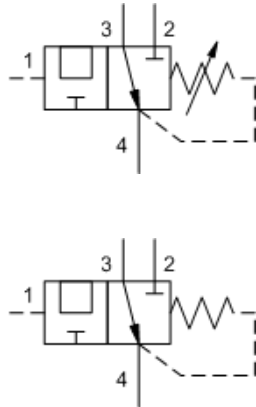
NOTE: DATA MAY VARY BY CONFIGURATION. SEE CONFIGURATION SECTION.

Maximum Operating Pressure	350 bar
Maximum Valve Leakage at 110 SUS (24 cSt)	0,7 cc/min.@350 bar
Seal kit - Cartridge	Buna: 990109007
Seal kit - Cartridge	EPDM: 990009014
Seal kit - Cartridge	Viton: 990109006

CONFIGURATION OPTIONS

Model Code Example: DBAMLCN

CONTROL	(L)	SPOOL CONFIGURATION	(C)	SEAL MATERIAL	(N)
L Twist/Lock (Detent) Manual Override		C Normally Open 1 to 3, Closed 1 to 2		N Buna-N	
D Twist/Lock (Dual) Manual Override		H Normally Open 1 to 2, Closed 1 to 3		E EPDM	
T Twist (Momentary) Manual Override				V Viton	



Direct-acting, 3-way directional cartridges (3 to 4 open, 2 blocked) are switching devices typically used in moderate flow circuits. They can be used by themselves or to actuate larger pilot operated directional cartridges or logic cartridges. The valve shifts when the pressure differential between port 1 and port 4 exceeds the setting.

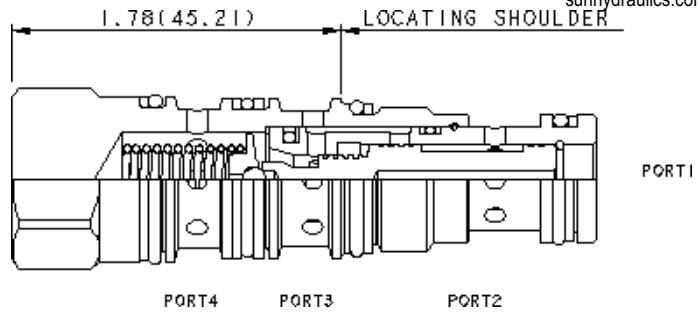
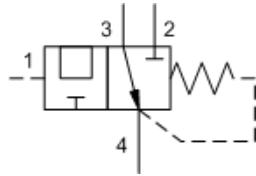
TECHNICAL DATA

NOTE: DATA MAY VARY BY CONFIGURATION. SEE CONFIGURATION SECTION.

Maximum Operating Pressure	350 bar
Maximum Valve Leakage at 110 SUS (24 cSt)	30 cc/min.
Adjustment - No. of CW Turns from Min. to Max. setting	5
Locknut Hex Size	15 mm
Locknut Torque	9 - 10 Nm
Seal kit - Cartridge	Buna: 990021007
Seal kit - Cartridge	Polyurethane: 990021002
Seal kit - Cartridge	Viton: 990021006

CONFIGURATION OPTIONS
Model Code Example: DRBRLNN

CONTROL	(L) ADJUSTMENT RANGE	(N) SEAL MATERIAL	(N) MATERIAL/COATING
L Standard Screw Adjustment	N 60 - 800 psi (4 - 55 bar), 200 psi (14 bar) Standard Setting	N Buna-N	Standard Material/Coating
C Tamper Resistant - Factory Set		V Viton	JAP Stainless Steel, Passivated
K Handknob	E 25 - 400 psi (1,7 - 28 bar), 200 psi (14 bar) Standard Setting		
O Handknob with Panel Mount	S 25 - 200 psi (1,7 - 14 bar), 200 psi (14 bar) Standard Setting		



Direct-acting, 3-way directional cartridges (3 to 4 open, 2 blocked) are switching devices typically used in moderate flow circuits. They can be used by themselves or to actuate larger pilot operated directional cartridges or logic cartridges. The valve shifts when the pressure differential between port 1 and port 4 exceeds the setting.

TECHNICAL DATA

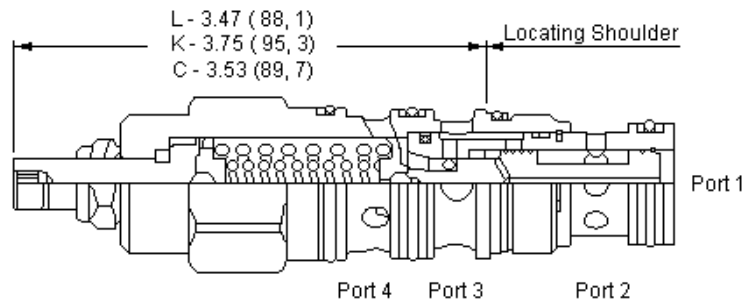
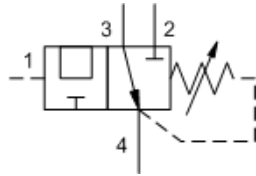
NOTE: DATA MAY VARY BY CONFIGURATION. SEE CONFIGURATION SECTION.

Maximum Operating Pressure	350 bar
Maximum Valve Leakage at 110 SUS (24 cSt)	30 cc/min.
Seal kit - Cartridge	Buna: 990021007
Seal kit - Cartridge	Polyurethane: 990021002
Seal kit - Cartridge	Viton: 990021006

CONFIGURATION OPTIONS

Model Code Example: DRBRXFN

SHIFTING PRESSURE	(F)	SEAL MATERIAL	(N)
F 100 psi (7 bar)		N Buna-N	
		V Viton	



in (mm)

Direct-acting, 3-way directional cartridges (3 to 4 open, 2 blocked) are switching devices typically used in moderate flow circuits. They can be used by themselves or to actuate larger pilot operated directional cartridges or logic cartridges. The valve shifts when the pressure differential between port 1 and port 4 exceeds the setting.

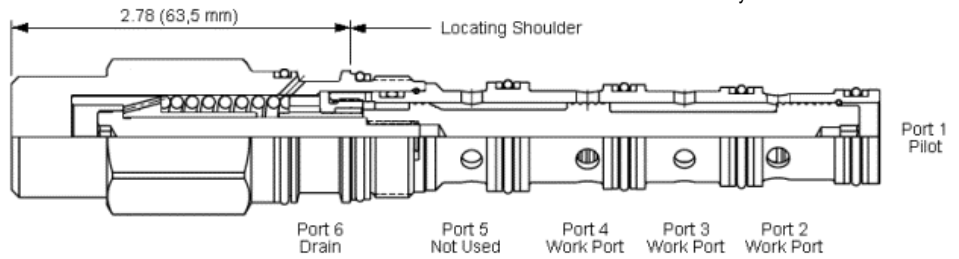
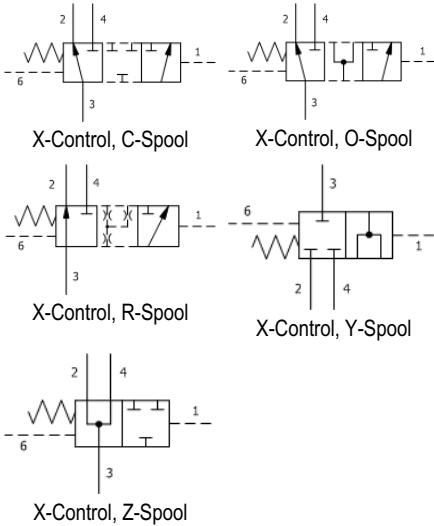
TECHNICAL DATA

NOTE: DATA MAY VARY BY CONFIGURATION. SEE CONFIGURATION SECTION.

Maximum Operating Pressure	350 bar
Maximum Valve Leakage at 110 SUS (24 cSt)	50 cc/min.@210 bar
Adjustment - No. of CW Turns from Min. to Max. setting	5
Locknut Hex Size	15 mm
Locknut Torque	9 - 10 Nm
Seal kit - Cartridge	Buna: 990022007
Seal kit - Cartridge	Polyurethane: 990022002
Seal kit - Cartridge	Viton: 990022006

CONFIGURATION OPTIONS
Model Code Example: DRCLNN

CONTROL	(L) ADJUSTMENT RANGE	(N) SEAL MATERIAL	(N) MATERIAL/COATING
L Standard Screw Adjustment	N 60 - 800 psi (4 - 55 bar), 200 psi (14 bar) Standard Setting	N Buna-N	Standard Material/Coating
C Concealed Manual Override	E 200 - 400 psi (14 - 28 bar), 200 psi (14 bar) Standard Setting	V Viton	/LH Mild Steel, Zinc-Nickel
K Handknob	S 25 - 200 psi (1,7 - 14 bar), 200 psi (14 bar) Standard Setting		



Two-position, 3-way directional cartridges are 6-port (port 5 is not used) directional valves that can be configured with up to 5 different spool configurations. The supply port is port 3 and all ports will accept 5000 psi (350 bar). Capacity for these pilot-to-shift valves is dependent on the spool type specified.

TECHNICAL DATA

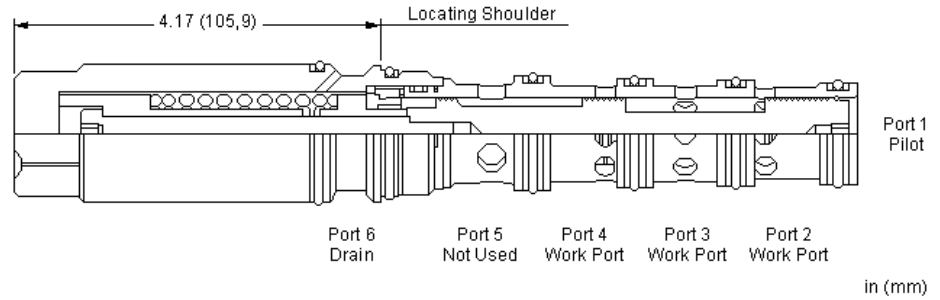
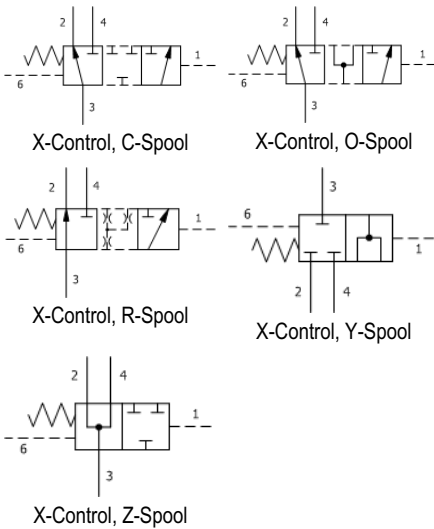
NOTE: DATA MAY VARY BY CONFIGURATION. SEE CONFIGURATION SECTION.

Minimum Pilot Pressure Required to Shift Valve	10 bar
Pilot Pressure Required for Full Shift at Rated Flow	20 bar
Maximum Operating Pressure	350 bar
Maximum Valve Leakage at 110 SUS (24 cSt)	30 cc/min.@70 bar
Pilot Volume Displacement	0,82 cc
Seal kit - Cartridge	Buna: 990052007
Seal kit - Cartridge	Viton: 990052006

CONFIGURATION OPTIONS

Model Code Example: **DDGXCN**

CONTROL	(X) SPOOL CONFIGURATION	(C) SEAL MATERIAL	(N) MATERIAL/COATING
X Not Adjustable	C Closed Crossover O Open Crossover R Restricted Crossover Y All Ports Blocked Z All Ports Open	N Buna-N V Viton	Standard Material/Coating /AP Stainless Steel, Passivated /LH Mild Steel, Zinc-Nickel



Two-position, 3-way directional cartridges are 6-port (port 5 is not used) directional valves that can be configured with up to 5 different spool configurations. The supply port is port 3 and all ports will accept 5000 psi (350 bar). Capacity for these pilot-to-shift valves is dependent on the spool type specified.

TECHNICAL DATA

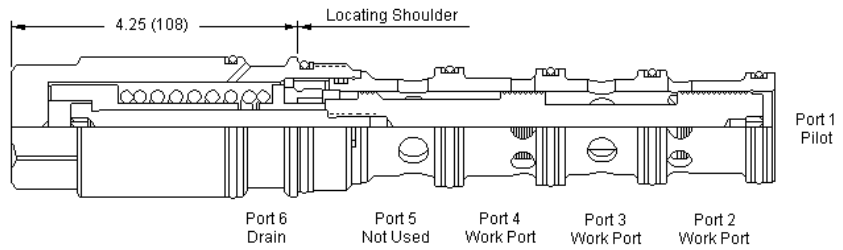
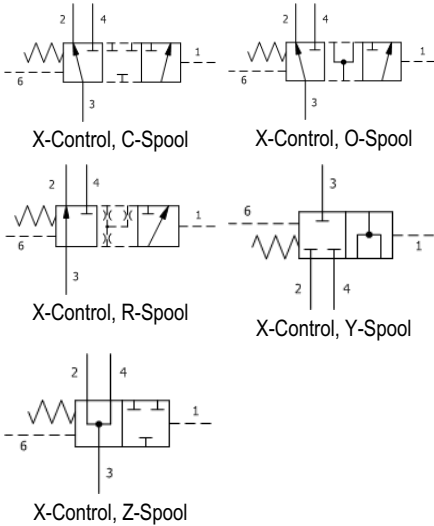
NOTE: DATA MAY VARY BY CONFIGURATION. SEE CONFIGURATION SECTION.

Minimum Pilot Pressure Required to Shift Valve	11 bar
Pilot Pressure Required for Full Shift at Rated Flow	20 bar
Maximum Operating Pressure	350 bar
Maximum Valve Leakage at 110 SUS (24 cSt)	30 cc/min.@70 bar
Pilot Volume Displacement	2,1 cc
Seal kit - Cartridge	Buna: 990053007
Seal kit - Cartridge	Viton: 990053006

CONFIGURATION OPTIONS

Model Code Example: DDFGXCN

CONTROL	(X) SPOOL CONFIGURATION	(C) SEAL MATERIAL	(N) MATERIAL/COATING
X Not Adjustable	C Closed Crossover O Open Crossover R Restricted Crossover Y All Ports Blocked Z All Ports Open	N Buna-N V Viton	Standard Material/Coating /AP Stainless Steel, Passivated /LH Mild Steel, Zinc-Nickel



in (mm)

Two-position, 3-way directional cartridges are 6-port (port 5 is not used) directional valves that can be configured with up to 5 different spool configurations. The supply port is port 3 and all ports will accept 5000 psi (350 bar). Capacity for these pilot-to-shift valves is dependent on the spool type specified.

TECHNICAL DATA

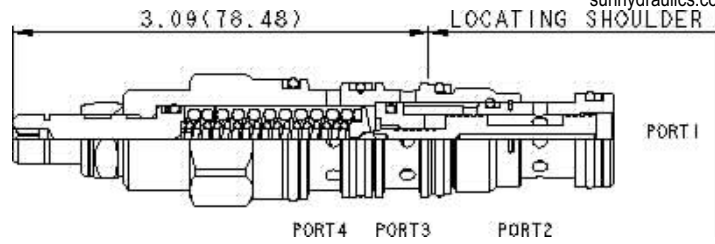
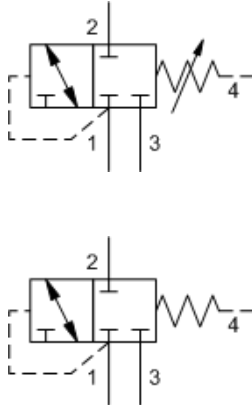
NOTE: DATA MAY VARY BY CONFIGURATION. SEE CONFIGURATION SECTION.

Minimum Pilot Pressure Required to Shift Valve	20 bar
Pilot Pressure Required for Full Shift at Rated Flow	24 bar
Maximum Operating Pressure	350 bar
Maximum Valve Leakage at 110 SUS (24 cSt)	50 cc/min.@70 bar
Pilot Volume Displacement	4,4 cc
Seal kit - Cartridge	Buna: 990054007
Seal kit - Cartridge	Polyurethane: 990054002
Seal kit - Cartridge	Viton: 990054006

CONFIGURATION OPTIONS

Model Code Example: DDHGXCN

CONTROL	(X) SPOOL CONFIGURATION	(C) SEAL MATERIAL	(N)
X Not Adjustable	C Closed Crossover	N Buna-N	
	O Open Crossover	V Viton	
	R Restricted Crossover		
	Y All Ports Blocked		
	Z All Ports Open		



Normally closed, direct-acting, 3-way directional cartridges are switching devices typically used in moderate flow circuits. They can be used by themselves or to actuate larger pilot-operated directional cartridges or logic cartridges. The valve shifts when the pressure differential between port 1 and port 4 exceeds the setting.

TECHNICAL DATA

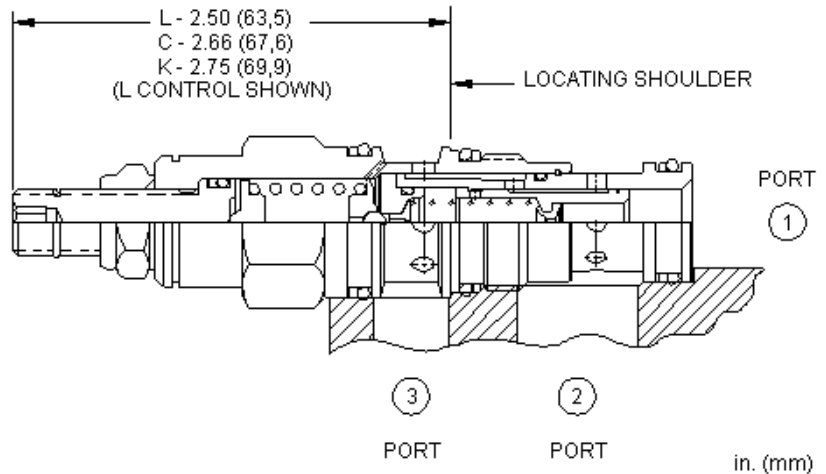
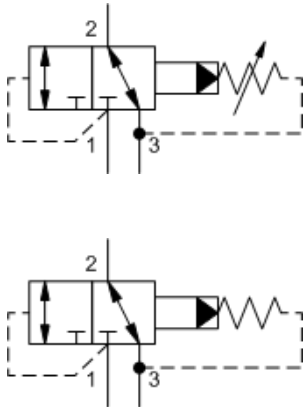
NOTE: DATA MAY VARY BY CONFIGURATION. SEE CONFIGURATION SECTION.

Factory Pressure Settings Established at	15 L/min.
Maximum Operating Pressure	350 bar
Maximum Valve Leakage at 110 SUS (24 cSt)	30 cc/min.
Adjustment - No. of CW Turns from Min. to Max. setting	5
Locknut Hex Size	15 mm
Locknut Torque	9 - 10 Nm
Seal kit - Cartridge	Buna: 990021007
Seal kit - Cartridge	Polyurethane: 990021002
Seal kit - Cartridge	Viton: 990021006

NOTES For Series 1 cartridges configured with an O control (panel mount handknob), a .75 in. (19 mm) diameter hole is required in the panel.

CONFIGURATION OPTIONS
Model Code Example: DRBNLAN

CONTROL	(L) ADJUSTMENT RANGE	(A) SEAL MATERIAL	(N) MATERIAL/COATING
L Standard Screw Adjustment	A 500 - 3000 psi (35 - 210 bar), 1000 psi (70 bar) Standard Setting	N Buna-N	Standard Material/Coating
C Tamper Resistant - Factory Set		V Viton	/AP Stainless Steel, Passivated
K Handknob	B 50 - 1500 psi (3,5 - 105 bar), 200 psi (14 bar) Standard Setting		
O Handknob with Panel Mount	D 25 - 800 psi (1,7 - 55 bar), 200 psi (14 bar) Standard Setting		
	E 25 - 400 psi (1,7 - 28 bar), 200 psi (14 bar) Standard Setting		
	S 25 - 200 psi (1,7 - 14 bar), 100 psi (7 bar) Standard Setting		
	W 750 - 4500 psi (50 - 315 bar), 1000 psi (70 bar) Standard Setting		



Pilot-operated, 3-way directional cartridges (1 blocked, 2 to 3 open) are switching devices typically used in moderate flow circuits. They can be used by themselves or to actuate larger pilot-operated directional cartridges or logic cartridges. The valve shifts when the pressure differential between port 1 and port 3 exceeds the setting.

TECHNICAL DATA

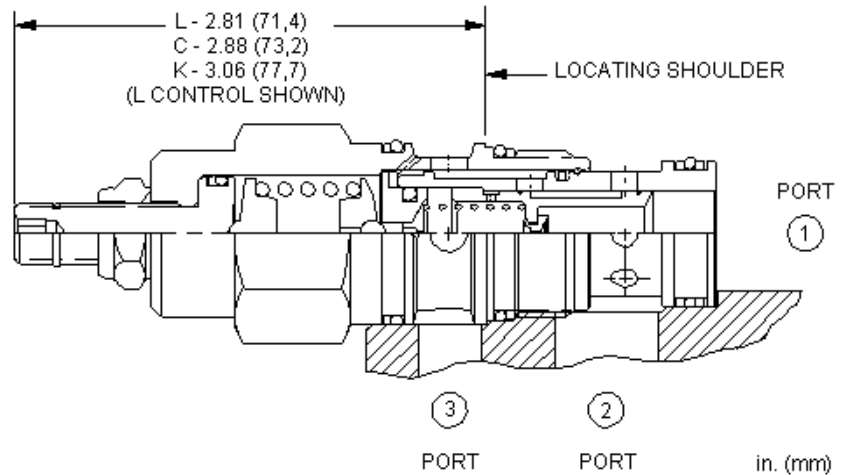
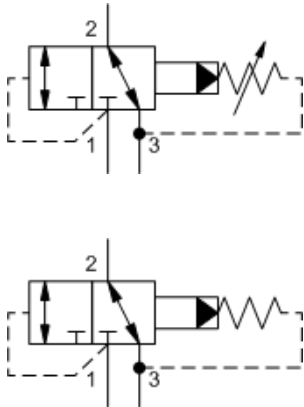
NOTE: DATA MAY VARY BY CONFIGURATION. SEE CONFIGURATION SECTION.

Factory Pressure Settings Established at	15 L/min.
Maximum Operating Pressure	350 bar
Control Pilot Flow	0,11 - 0,16 L/min.
Maximum Valve Leakage at 110 SUS (24 cSt)	15 cc/min.@70 bar
Adjustment - No. of CW Turns from Min. to Max. setting	5
Locknut Hex Size	15 mm
Locknut Torque	9 - 10 Nm
Seal kit - Cartridge	Buna: 990011007
Seal kit - Cartridge	Polyurethane: 990011002
Seal kit - Cartridge	Viton: 990011006

NOTES For Series 1 cartridges configured with an O control (panel mount handknob), a .75 in. (19 mm) diameter hole is required in the panel.

CONFIGURATION OPTIONS
Model Code Example: DPBCLAN

CONTROL	(L) ADJUSTMENT RANGE	(A) SEAL MATERIAL	(N) MATERIAL/COATING
L Standard Screw Adjustment	A 100 - 3000 psi (7 - 210 bar), 1000 psi (70 bar) Standard Setting	N Buna-N	Standard Material/Coating
C Tamper Resistant - Factory Set	B 50 - 1500 psi (3,5 - 105 bar), 1000 psi (70 bar) Standard Setting	V Viton	/AP Stainless Steel, Passivated
K Handknob	D 25 - 800 psi (1,7 - 55 bar), 400 psi (28 bar) Standard Setting		/LH Mild Steel, Zinc-Nickel
	E 25 - 400 psi (1,7 - 28 bar), 200 psi (14 bar) Standard Setting		
	W 150 - 4500 psi (10,5 - 315 bar), 1000 psi (70 bar) Standard Setting		



Pilot-operated, 3-way directional cartridges (1 blocked, 2 to 3 open) are switching devices typically used in moderate flow circuits. They can be used by themselves or to actuate larger pilot-operated directional cartridges or logic cartridges. The valve shifts when the pressure differential between port 1 and port 3 exceeds the setting.

TECHNICAL DATA

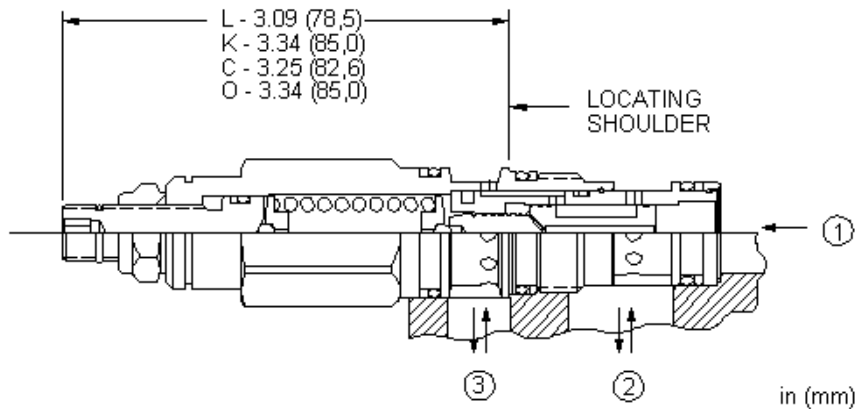
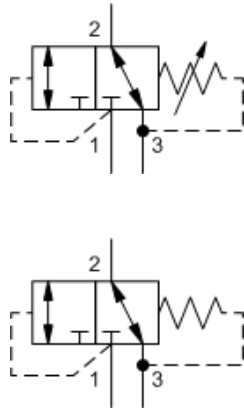
NOTE: DATA MAY VARY BY CONFIGURATION. SEE CONFIGURATION SECTION.

Factory Pressure Settings Established at	15 L/min.
Maximum Operating Pressure	350 bar
Control Pilot Flow	0,16 - 0,25 L/min.
Maximum Valve Leakage at 110 SUS (24 cSt)	15 cc/min.@70 bar
Adjustment - No. of CW Turns from Min. to Max. setting	5
Locknut Hex Size	15 mm
Locknut Torque	9 - 10 Nm
Seal kit - Cartridge	Buna: 990202007
Seal kit - Cartridge	Polyurethane: 990002002
Seal kit - Cartridge	Viton: 990202006

NOTES For Series 1 cartridges configured with an O control (panel mount handknob), a .75 in. (19 mm) diameter hole is required in the panel.

CONFIGURATION OPTIONS
Model Code Example: DPCCLAN

CONTROL	(L) ADJUSTMENT RANGE	(A) SEAL MATERIAL	(N) MATERIAL/COATING
L Standard Screw Adjustment	A 100 - 3000 psi (7 - 210 bar), 1000 psi (70 bar) Standard Setting	N Buna-N	Standard Material/Coating
C Tamper Resistant - Factory Set	B 50 - 1500 psi (3,5 - 105 bar), 1000 psi (70 bar) Standard Setting	V Viton	/AP Stainless Steel, Passivated
K Handknob	D 25 - 800 psi (1,7 - 55 bar), 400 psi (28 bar) Standard Setting		/LH Mild Steel, Zinc-Nickel
	E 25 - 400 psi (1,7 - 28 bar), 200 psi (14 bar) Standard Setting		
	H 35 - 3000 psi (2,4 - 210 bar), 1000 psi (70 bar) Standard Setting		
	W 100 - 4500 psi (7 - 315 bar), 1000 psi (70 bar) Standard Setting		



Direct-acting, 3-way directional cartridges (1 blocked, 2 to 3 open) are switching devices typically used in moderate flow circuits. They can be used by themselves or to actuate larger pilot-operated directional cartridges or logic cartridges. The valve shifts when the pressure differential between port 1 and port 3 exceeds the setting.

TECHNICAL DATA

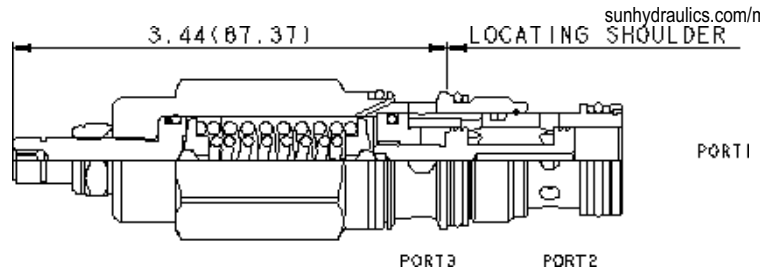
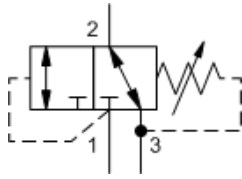
NOTE: DATA MAY VARY BY CONFIGURATION. SEE CONFIGURATION SECTION.

Factory Pressure Settings Established at	15 L/min.
Maximum Operating Pressure	350 bar
Maximum Valve Leakage at 110 SUS (24 cSt)	30 cc/min.
Adjustment - No. of CW Turns from Min. to Max. setting	5
Locknut Hex Size	15 mm
Locknut Torque	9 - 10 Nm
Seal kit - Cartridge	Buna: 990011007
Seal kit - Cartridge	Polyurethane: 990011002
Seal kit - Cartridge	Viton: 990011006

NOTES For Series 1 cartridges configured with an O control (panel mount handknob), a .75 in. (19 mm) diameter hole is required in the panel.

CONFIGURATION OPTIONS
Model Code Example: DRBCLAN

CONTROL	(L) ADJUSTMENT RANGE	(A) SEAL MATERIAL	(N) MATERIAL/COATING
L Standard Screw Adjustment	A 500 - 3000 psi (35 - 210 bar), 1000 psi (70 bar) Standard Setting	N Buna-N	Standard Material/Coating
C Tamper Resistant - Factory Set	B 50 - 1500 psi (3,5 - 105 bar), 200 psi (14 bar) Standard Setting	V Viton	/AP Stainless Steel, Passivated
K Handknob	D 25 - 800 psi (1,7 - 55 bar), 200 psi (14 bar) Standard Setting		/LH Mild Steel, Zinc-Nickel
	E 25 - 400 psi (1,7 - 28 bar), 200 psi (14 bar) Standard Setting		
	S 25 - 200 psi (1,7 - 14 bar), 100 psi (7 bar) Standard Setting		
	W 750 - 4500 psi (50 - 315 bar), 1000 psi (70 bar) Standard Setting		



sunhydraulics.com/model/DRCC

Direct-acting, 3-way directional cartridges (1 blocked, 2 to 3 open) are switching devices typically used in moderate flow circuits. They can be used by themselves or to actuate larger pilot-operated directional cartridges or logic cartridges. The valve shifts when the pressure differential between port 1 and port 3 exceeds the setting.

TECHNICAL DATA

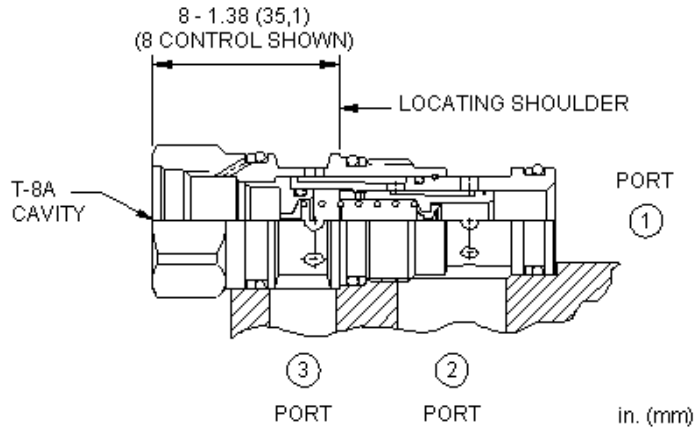
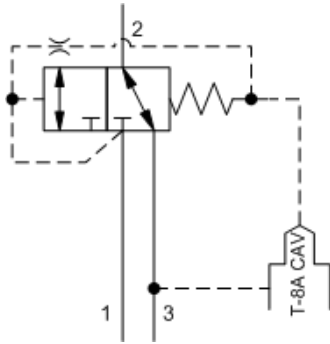
NOTE: DATA MAY VARY BY CONFIGURATION. SEE CONFIGURATION SECTION.

Factory Pressure Settings Established at	15 L/min.
Maximum Operating Pressure	350 bar
Maximum Valve Leakage at 110 SUS (24 cSt)	30 cc/min.
Adjustment - No. of CW Turns from Min. to Max. setting	5
Locknut Hex Size	15 mm
Locknut Torque	9 - 10 Nm
Seal kit - Cartridge	Polyurethane: 990002002

CONFIGURATION OPTIONS

Model Code Example: DRCCLAN

CONTROL	(L) ADJUSTMENT RANGE	(A) SEAL MATERIAL	(N) MATERIAL/COATING
L Standard Screw Adjustment	A 750 - 3000 psi (50 - 210 bar), 1000 psi (70 bar) Standard Setting B 300 - 1500 psi (20 - 105 bar), 500 psi (35 bar) Standard Setting D 200 - 800 psi (14 - 55 bar), 400 psi (28 bar) Standard Setting E 100 - 400 psi (7 - 28 bar), 200 psi (14 bar) Standard Setting S 50 - 200 psi (3,5 - 14 bar), 100 psi (7 bar) Standard Setting	N Buna-N V Viton	Standard Material/Coating /LH Mild Steel, Zinc-Nickel



This valve is a, 3-way directional cartridge (1 blocked, 2 to 3 open) that incorporates an integral pilot control cavity. It may be used by itself or to actuate larger pilot-operated directional cartridges or logic elements. The valve shifts when there is flow through the pilot control cartridge installed in the T-8A cavity.

TECHNICAL DATA

NOTE: DATA MAY VARY BY CONFIGURATION. SEE CONFIGURATION SECTION.

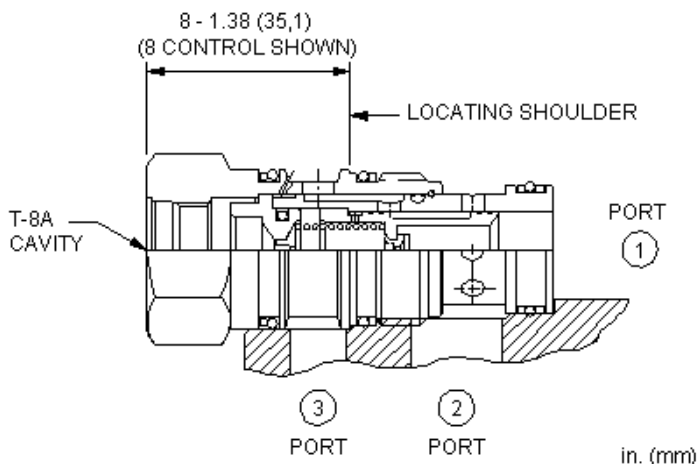
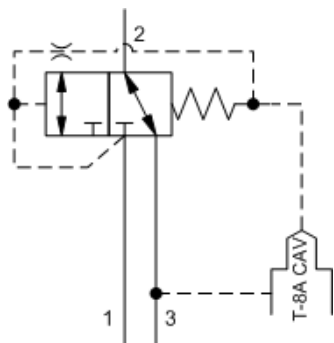
Maximum Operating Pressure	350 bar
Control Pilot Flow	0,11 - 0,16 L/min.
Maximum Valve Leakage at 110 SUS (24 cSt)	30 cc/min.@70 bar
Pilot Control Cavity	T-8A
Seal kit - Cartridge	Buna: 990011007
Seal kit - Cartridge	Polyurethane: 990011002
Seal kit - Cartridge	Viton: 990011006

NOTES Compound cartridge (pilot and main stage) assembly information is provided for reference only. Cartridges must be ordered separately and assembled at point of use.

CONFIGURATION OPTIONS

Model Code Example: DVBC8FN

CONTROL (8)	MINIMUM CONTROL PRESSURE (F)	SEAL MATERIAL (N)
8 T-8A Cavity	F 100 psi (7 bar)	N Buna-N V Viton



This valve is a 3-way directional cartridge (1 blocked, 2 to 3 open) that incorporates an integral pilot control cavity. It may be used by itself or to actuate larger pilot-operated directional cartridges or logic elements. The valve shifts when there is flow through the pilot control cartridge installed in the T-8A cavity.

TECHNICAL DATA

NOTE: DATA MAY VARY BY CONFIGURATION. SEE CONFIGURATION SECTION.

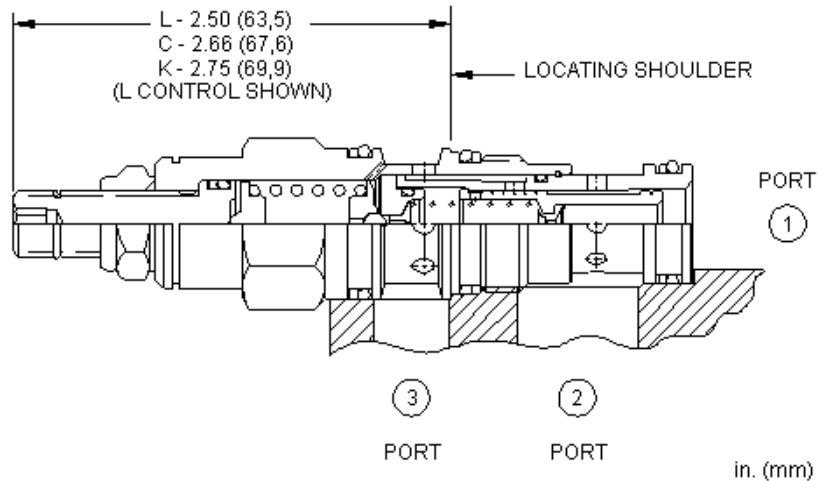
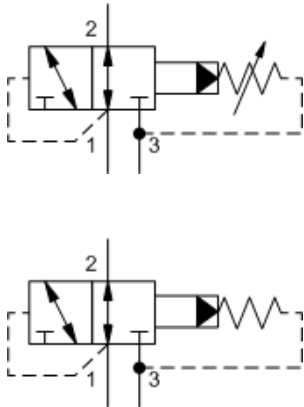
Maximum Operating Pressure	350 bar
Control Pilot Flow	0,16 - 0,25 L/min.
Maximum Valve Leakage at 110 SUS (24 cSt)	30 cc/min.@70 bar
Pilot Control Cavity	T-8A
Seal kit - Cartridge	Buna: 990202007
Seal kit - Cartridge	Polyurethane: 990002002
Seal kit - Cartridge	Viton: 990202006

NOTES

Compound cartridge (pilot and main stage) assembly information is provided for reference only. Cartridges must be ordered separately and assembled at point of use.

CONFIGURATION OPTIONS
Model Code Example: DVCC8FN

CONTROL	(8)	MINIMUM CONTROL PRESSURE	(F)	SEAL MATERIAL	(N)
8 T-8A Cavity		F 100 psi (7 bar)		N Buna-N	
				V Viton	



Pilot-operated, 3-way directional cartridges (1 to 2 open, 3 blocked) are switching devices typically used in moderate flow circuits. They can be used by themselves or to actuate larger pilot-operated directional cartridges or logic cartridges. The valve shifts when the pressure differential between port 1 and port 3 exceeds the setting.

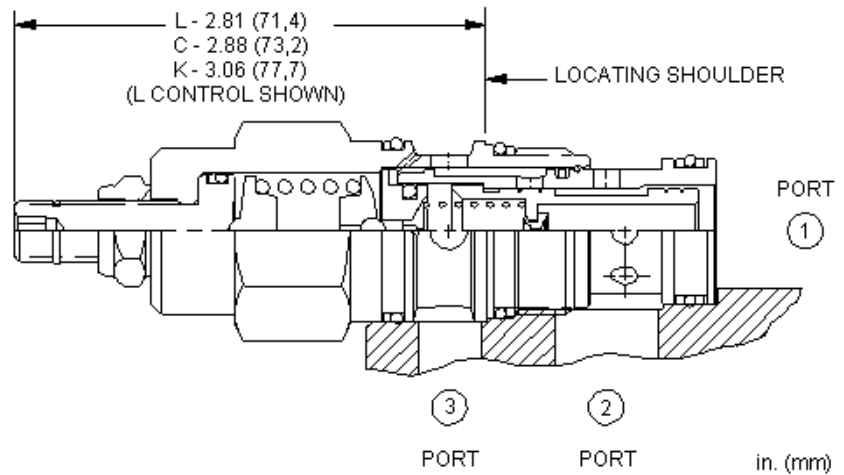
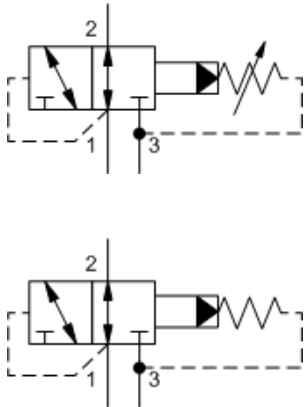
TECHNICAL DATA

NOTE: DATA MAY VARY BY CONFIGURATION. SEE CONFIGURATION SECTION.

Factory Pressure Settings Established at	15 L/min.
Maximum Operating Pressure	350 bar
Control Pilot Flow	0,11 - 0,16 L/min.
Maximum Valve Leakage at 110 SUS (24 cSt)	15 cc/min.@70 bar
Adjustment - No. of CW Turns from Min. to Max. setting	5
Locknut Hex Size	15 mm
Locknut Torque	9 - 10 Nm
Seal kit - Cartridge	Buna: 990011007
Seal kit - Cartridge	Polyurethane: 990011002
Seal kit - Cartridge	Viton: 990011006

CONFIGURATION OPTIONS
Model Code Example: DPBDLAN

CONTROL	(L) ADJUSTMENT RANGE	(A) SEAL MATERIAL	(N) MATERIAL/COATING
L Standard Screw Adjustment	A 100 - 3000 psi (7 - 210 bar), 1000 psi (70 bar) Standard Setting	N Buna-N	Standard Material/Coating
C Tamper Resistant - Factory Set	B 50 - 1500 psi (3,5 - 105 bar), 1000 psi (70 bar) Standard Setting	V Viton	IAP Stainless Steel, Passivated
K Handknob	D 25 - 800 psi (1,7 - 55 bar), 400 psi (28 bar) Standard Setting		
	E 25 - 400 psi (1,7 - 28 bar), 200 psi (14 bar) Standard Setting		
	K 75 - 1500 psi (5 - 105 bar), 1000 psi (70 bar) Standard Setting		
	W 150 - 4500 psi (10,5 - 315 bar), 1000 psi (70 bar) Standard Setting		



Pilot-operated, 3-way directional cartridges (1 to 2 open, 3 blocked) are switching devices typically used in moderate flow circuits. They can be used by themselves or to actuate larger pilot-operated directional cartridges or logic cartridges. The valve shifts when the pressure differential between port 1 and port 3 exceeds the setting.

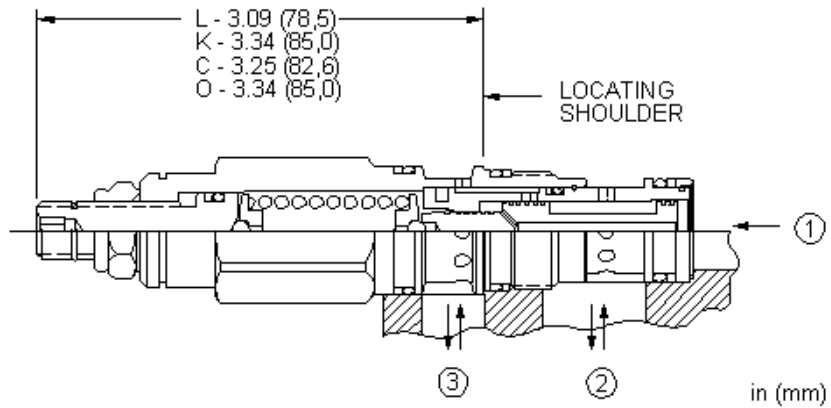
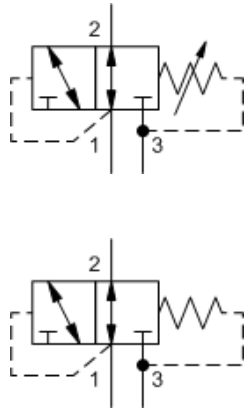
TECHNICAL DATA

NOTE: DATA MAY VARY BY CONFIGURATION. SEE CONFIGURATION SECTION.

Factory Pressure Settings Established at	15 L/min.
Maximum Operating Pressure	350 bar
Control Pilot Flow	0,16 - 0,25 L/min.
Maximum Valve Leakage at 110 SUS (24 cSt)	15 cc/min.@70 bar
Adjustment - No. of CW Turns from Min. to Max. setting	5
Locknut Hex Size	15 mm
Locknut Torque	9 - 10 Nm
Seal kit - Cartridge	Buna: 990202007
Seal kit - Cartridge	Polyurethane: 990002002
Seal kit - Cartridge	Viton: 990202006

CONFIGURATION OPTIONS
Model Code Example: DPCDLAN

CONTROL	(L) ADJUSTMENT RANGE	(A) SEAL MATERIAL	(N) MATERIAL/COATING
L Standard Screw Adjustment	A 100 - 3000 psi (7 - 210 bar), 1000 psi (70 bar) Standard Setting	N Buna-N	Standard Material/Coating
C Tamper Resistant - Factory Set	B 50 - 1500 psi (3,5 - 105 bar), 1000 psi (70 bar) Standard Setting	V Viton	/AP Stainless Steel, Passivated
K Handknob	D 25 - 800 psi (1,7 - 55 bar), 400 psi (28 bar) Standard Setting		
	E 25 - 400 psi (1,7 - 28 bar), 200 psi (14 bar) Standard Setting		
	W 150 - 4500 psi (10,5 - 315 bar), 1000 psi (70 bar) Standard Setting		



Direct-acting, 3-way directional cartridges (1 to 2 open, 3 blocked) are switching devices typically used in moderate flow circuits. They can be used by themselves or to actuate larger pilot-operated directional cartridges or logic cartridges. The valve shifts when the pressure differential between port 1 and port 3 exceeds the setting.

TECHNICAL DATA

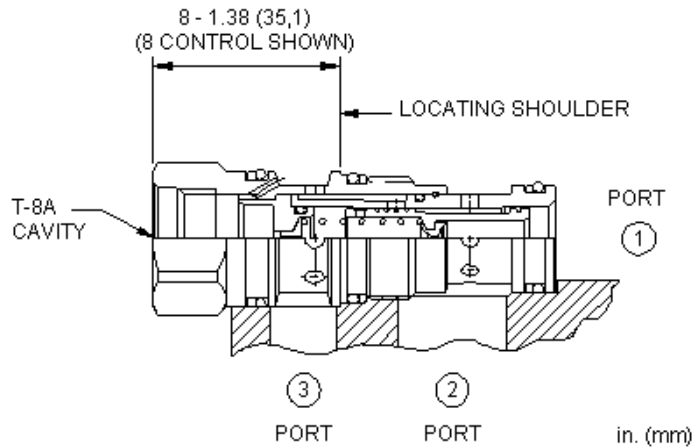
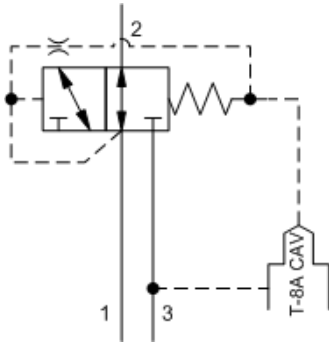
NOTE: DATA MAY VARY BY CONFIGURATION. SEE CONFIGURATION SECTION.

Factory Pressure Settings Established at	15 L/min.
Maximum Operating Pressure	350 bar
Maximum Valve Leakage at 110 SUS (24 cSt)	30 cc/min.
Adjustment - No. of CW Turns from Min. to Max. setting	5
Locknut Hex Size	15 mm
Locknut Torque	9 - 10 Nm
Seal kit - Cartridge	Buna: 990011007
Seal kit - Cartridge	Polyurethane: 990011002
Seal kit - Cartridge	Viton: 990011006

NOTES For Series 1 cartridges configured with an O control (panel mount handknob), a .75 in. (19 mm) diameter hole is required in the panel.

CONFIGURATION OPTIONS
Model Code Example: DRBDLAN

CONTROL	(L) ADJUSTMENT RANGE	(A) SEAL MATERIAL	(N) MATERIAL/COATING
L Standard Screw Adjustment	A 500 - 3000 psi (35 - 210 bar), 1000 psi (70 bar) Standard Setting	N Buna-N	Standard Material/Coating
C Tamper Resistant - Factory Set	B 50 - 1500 psi (3,5 - 105 bar), 200 psi (14 bar) Standard Setting	V Viton	/AP Stainless Steel, Passivated
K Handknob	D 25 - 800 psi (1,7 - 55 bar), 200 psi (14 bar) Standard Setting		
	E 25 - 400 psi (1,7 - 28 bar), 200 psi (14 bar) Standard Setting		
	S 25 - 200 psi (1,7 - 14 bar), 100 psi (7 bar) Standard Setting		
	W 750 - 4500 psi (50 - 315 bar), 1000 psi (70 bar) Standard Setting		



This valve is a 3-way directional cartridge (1 to 2 open, 3 blocked) that incorporates an integral pilot control cavity. It may be used by itself or to actuate larger pilot-operated directional cartridges or logic elements. The valve shifts when there is flow through the pilot control cartridge installed in the T-8A cavity.

TECHNICAL DATA

NOTE: DATA MAY VARY BY CONFIGURATION. SEE CONFIGURATION SECTION.

Maximum Operating Pressure	350 bar
Control Pilot Flow	0,11 - 0,16 L/min.
Maximum Valve Leakage at 110 SUS (24 cSt)	30 cc/min.@70 bar
Pilot Control Cavity	T-8A
Seal kit - Cartridge	Buna: 990011007
Seal kit - Cartridge	Polyurethane: 990011002
Seal kit - Cartridge	Viton: 990011006

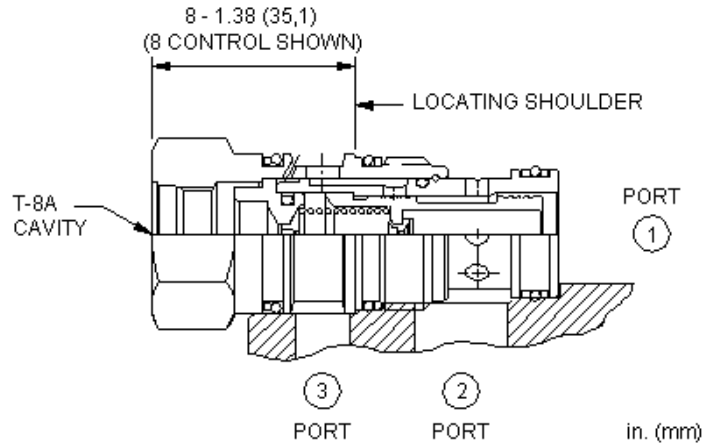
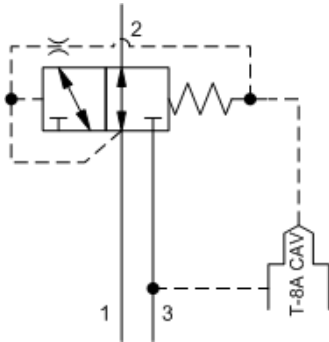
NOTES

Compound cartridge (pilot and main stage) assembly information is provided for reference only. Cartridges must be ordered separately and assembled at point of use.

CONFIGURATION OPTIONS

Model Code Example: **DVBD8FN**

CONTROL	(8)	MINIMUM CONTROL PRESSURE	(F)	SEAL MATERIAL	(N)
8 T-8A Cavity		F 100 psi (7 bar)		N Buna-N V Viton	



This valve is a, 3-way directional cartridge (1 to 2 open, 3 blocked) that incorporates an integral pilot control cavity. It may be used by itself or to actuate larger pilot-operated directional cartridges or logic elements. The valve shifts when there is flow through the pilot control cartridge installed in the T-8A cavity.

TECHNICAL DATA

NOTE: DATA MAY VARY BY CONFIGURATION. SEE CONFIGURATION SECTION.

Maximum Operating Pressure	350 bar
Control Pilot Flow	0,16 - 0,25 L/min.
Maximum Valve Leakage at 110 SUS (24 cSt)	30 cc/min.@70 bar
Pilot Control Cavity	T-8A
Seal kit - Cartridge	Buna: 990202007
Seal kit - Cartridge	Polyurethane: 990002002
Seal kit - Cartridge	Viton: 990202006

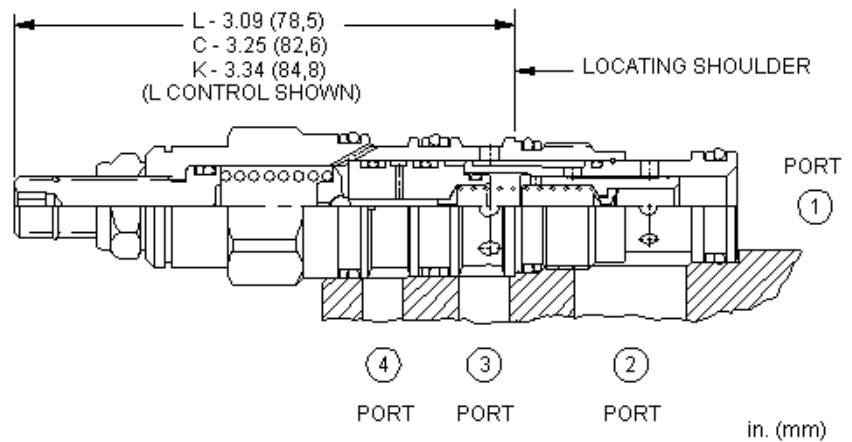
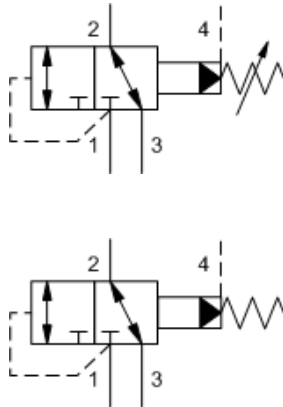
NOTES

Compound cartridge (pilot and main stage) assembly information is provided for reference only. Cartridges must be ordered separately and assembled at point of use.

CONFIGURATION OPTIONS

Model Code Example: DVCD8FN

CONTROL	(8)	MINIMUM CONTROL PRESSURE	(F)	SEAL MATERIAL	(N)
8 T-8A Cavity		F 100 psi (7 bar)		N Buna-N V Viton	



Pilot-operated, 3-way directional cartridges (1 blocked, 2-to-3 open) are switching devices typically used in moderate-flow circuits. They can be used by themselves or to actuate larger pilot-operated directional cartridges or logic cartridges. The valve shifts when the pressure differential between port 1 and port 4 exceeds the setting.

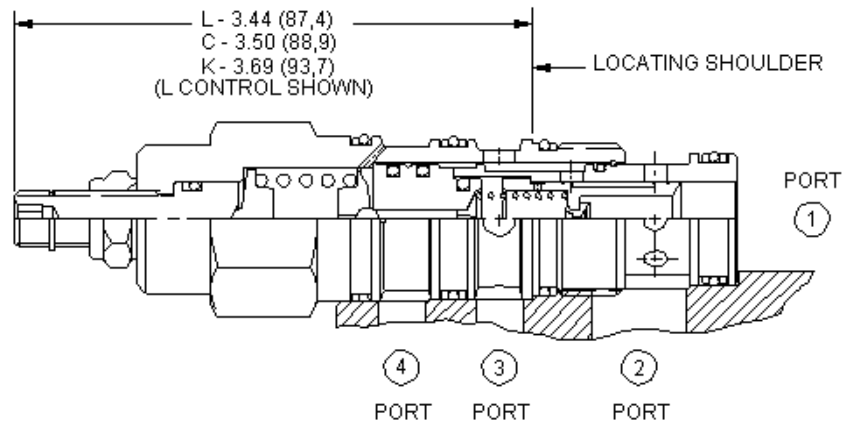
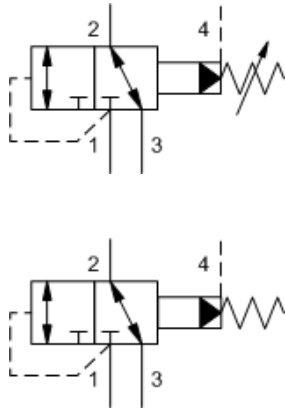
TECHNICAL DATA

NOTE: DATA MAY VARY BY CONFIGURATION. SEE CONFIGURATION SECTION.

Factory Pressure Settings Established at	15 L/min.
Maximum Operating Pressure	350 bar
Control Pilot Flow	0,11 - 0,16 L/min.
Maximum Valve Leakage at 110 SUS (24 cSt)	15 cc/min.@70 bar
Adjustment - No. of CW Turns from Min. to Max. setting	5
Locknut Hex Size	15 mm
Locknut Torque	9 - 10 Nm
Seal kit - Cartridge	Buna: 990021007
Seal kit - Cartridge	Polyurethane: 990021002
Seal kit - Cartridge	Viton: 990021006

CONFIGURATION OPTIONS
Model Code Example: DPBOLAN

CONTROL	(L) ADJUSTMENT RANGE	(A) SEAL MATERIAL	(N) MATERIAL/COATING
L Standard Screw Adjustment	A 100 - 3000 psi (7 - 210 bar), 1000 psi (70 bar) Standard Setting	N Buna-N	Standard Material/Coating
C Tamper Resistant - Factory Set	B 50 - 1500 psi (3,5 - 105 bar), 1000 psi (70 bar) Standard Setting	V Viton	/AP Stainless Steel, Passivated
K Handknob	D 25 - 800 psi (1,7 - 55 bar), 400 psi (28 bar) Standard Setting		/LH Mild Steel, Zinc-Nickel
	E 25 - 400 psi (1,7 - 28 bar), 200 psi (14 bar) Standard Setting		
	J 25 - 1500 psi (1,7 - 105 bar), 1000 psi (70 bar) Standard Setting		
	W 150 - 4500 psi (10,5 - 315 bar), 1000 psi (70 bar) Standard Setting		



in. (mm)

Pilot-operated, 3-way directional cartridges (1 blocked, 2-to-3 open) are switching devices typically used in moderate-flow circuits. They can be used by themselves or to actuate larger pilot-operated directional cartridges or logic cartridges. The valve shifts when the pressure differential between port 1 and port 4 exceeds the setting.

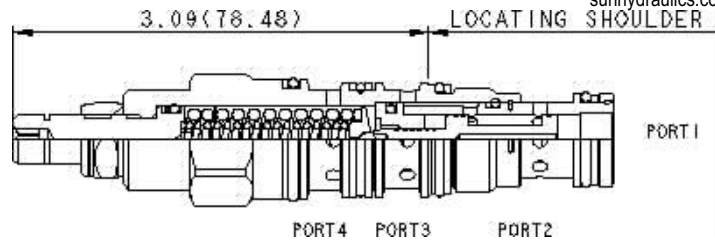
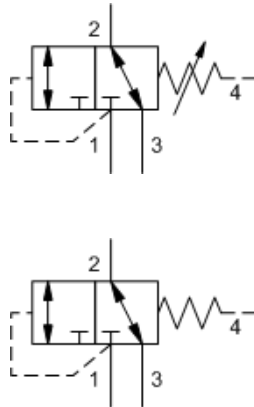
TECHNICAL DATA

NOTE: DATA MAY VARY BY CONFIGURATION. SEE CONFIGURATION SECTION.

Factory Pressure Settings Established at	15 L/min.
Maximum Operating Pressure	350 bar
Control Pilot Flow	0,16 - 0,25 L/min.
Maximum Valve Leakage at 110 SUS (24 cSt)	15 cc/min.@70 bar
Adjustment - No. of CW Turns from Min. to Max. setting	5
Locknut Hex Size	15 mm
Locknut Torque	9 - 10 Nm
Seal kit - Cartridge	Buna: 990022007
Seal kit - Cartridge	Polyurethane: 990022002
Seal kit - Cartridge	Viton: 990022006

CONFIGURATION OPTIONS
Model Code Example: DPCOLAN

CONTROL	(L) ADJUSTMENT RANGE	(A) SEAL MATERIAL	(N) MATERIAL/COATING
L Standard Screw Adjustment	A 100 - 3000 psi (7 - 210 bar), 1000 psi (70 bar) Standard Setting	N Buna-N	Standard Material/Coating
C Tamper Resistant - Factory Set		V Viton	/AP Stainless Steel, Passivated
K Handknob	B 50 - 1500 psi (3,5 - 105 bar), 1000 psi (70 bar) Standard Setting		
	D 25 - 800 psi (1,7 - 55 bar), 400 psi (28 bar) Standard Setting		
	E 25 - 400 psi (1,7 - 28 bar), 200 psi (14 bar) Standard Setting		
	W 150 - 4500 psi (10,5 - 315 bar), 1000 psi (70 bar) Standard Setting		



Direct-acting, 3-way directional cartridges (1 blocked, 2 to 3 open) are switching devices typically used in moderate flow circuits. They can be used by themselves or to actuate larger pilot-operated directional cartridges or logic cartridges. The valve shifts when the pressure differential between port 1 and port 4 exceeds the setting.

TECHNICAL DATA

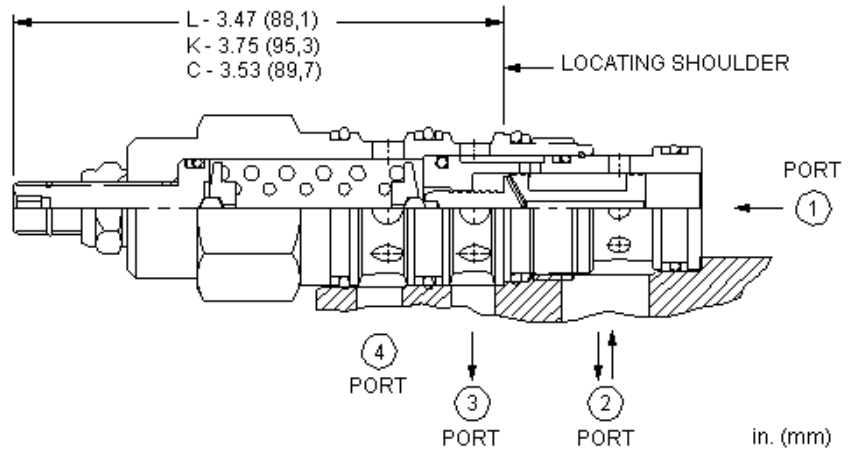
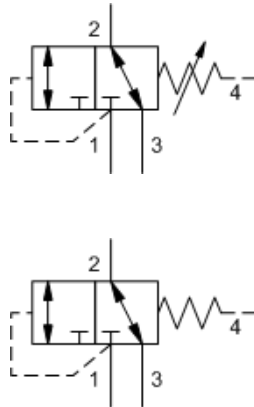
NOTE: DATA MAY VARY BY CONFIGURATION. SEE CONFIGURATION SECTION.

Factory Pressure Settings Established at	15 L/min.
Maximum Operating Pressure	350 bar
Maximum Valve Leakage at 110 SUS (24 cSt)	30 cc/min.
Adjustment - No. of CW Turns from Min. to Max. setting	5
Locknut Hex Size	15 mm
Locknut Torque	9 - 10 Nm
Seal kit - Cartridge	Buna: 990021007
Seal kit - Cartridge	Polyurethane: 990021002
Seal kit - Cartridge	Viton: 990021006

NOTES For Series 1 cartridges configured with an O control (panel mount handknob), a .75 in. (19 mm) diameter hole is required in the panel.

CONFIGURATION OPTIONS
Model Code Example: DRBOLAN

CONTROL	(L) ADJUSTMENT RANGE	(A) SEAL MATERIAL	(N) MATERIAL/COATING
L Standard Screw Adjustment	A 500 - 3000 psi (35 - 210 bar), 1000 psi (70 bar) Standard Setting	N Buna-N	Standard Material/Coating
C Tamper Resistant - Factory Set		V Viton	
K Handknob	B 50 - 1500 psi (3,5 - 105 bar), 200 psi (14 bar) Standard Setting		
O Handknob with Panel Mount	D 25 - 800 psi (1,7 - 55 bar), 200 psi (14 bar) Standard Setting		
	E 25 - 400 psi (1,7 - 28 bar), 200 psi (14 bar) Standard Setting		
	S 25 - 200 psi (1,7 - 14 bar), 100 psi (7 bar) Standard Setting		
	W 750 - 4500 psi (50 - 315 bar), 1000 psi (70 bar) Standard Setting		



Direct-acting, 3-way directional cartridges (1 blocked, 2 to 3 open) are switching devices typically used in moderate flow circuits. They can be used by themselves or to actuate larger pilot-operated directional cartridges or logic cartridges. The valve shifts when the pressure differential between port 1 and port 4 exceeds the setting.

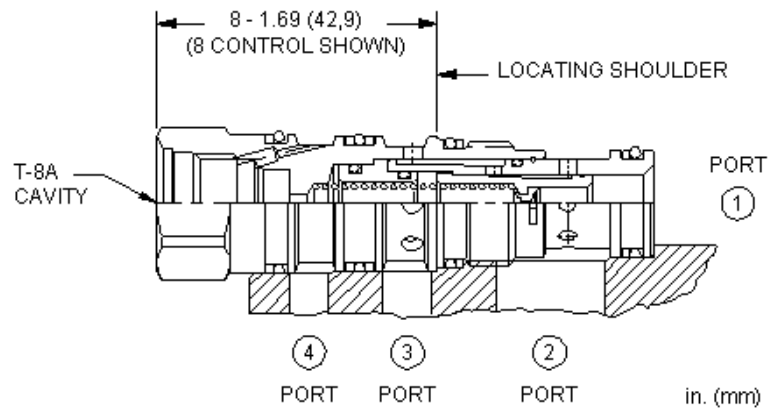
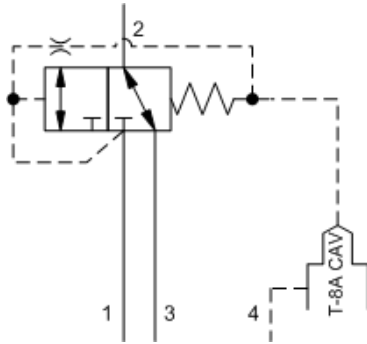
TECHNICAL DATA

NOTE: DATA MAY VARY BY CONFIGURATION. SEE CONFIGURATION SECTION.

Factory Pressure Settings Established at	15 L/min.
Maximum Operating Pressure	350 bar
Maximum Valve Leakage at 110 SUS (24 cSt)	30 cc/min.
Adjustment - No. of CW Turns from Min. to Max. setting	5
Locknut Hex Size	15 mm
Locknut Torque	9 - 10 Nm
Seal kit - Cartridge	Buna: 990022007
Seal kit - Cartridge	Polyurethane: 990022002
Seal kit - Cartridge	Viton: 990022006

CONFIGURATION OPTIONS
Model Code Example: DRCOLAN

CONTROL	(L)	ADJUSTMENT RANGE	(A)	SEAL MATERIAL	(N)
L Standard Screw Adjustment		A 750 - 3000 psi (50 - 210 bar), 1000 psi (70 bar) Standard Setting		N Buna-N	
C Tamper Resistant - Factory Set		B 300 - 1500 psi (20 - 105 bar), 500 psi (35 bar) Standard Setting		V Viton	
K Handknob		D 25 - 800 psi (1,7 - 55 bar), 400 psi (28 bar) Standard Setting			
		E 25 - 400 psi (1,7 - 28 bar), 200 psi (14 bar) Standard Setting			
		S 25 - 200 psi (1,7 - 14 bar), 100 psi (7 bar) Standard Setting			



This valve is a, 3-way directional cartridge (1 blocked, 2 to 3 open) that incorporates an integral pilot control cavity. It may be used by itself or to actuate larger pilot-operated directional cartridges or logic elements. The valve shifts when there is flow through the pilot control cartridge installed in the T-8A cavity.

TECHNICAL DATA

NOTE: DATA MAY VARY BY CONFIGURATION. SEE CONFIGURATION SECTION.

Maximum Operating Pressure	350 bar
Control Pilot Flow	0,11 - 0,16 L/min.
Maximum Valve Leakage at 110 SUS (24 cSt)	30 cc/min.@70 bar
Pilot Control Cavity	T-8A
Seal kit - Cartridge	Buna: 990021007
Seal kit - Cartridge	Polyurethane: 990021002
Seal kit - Cartridge	Viton: 990021006

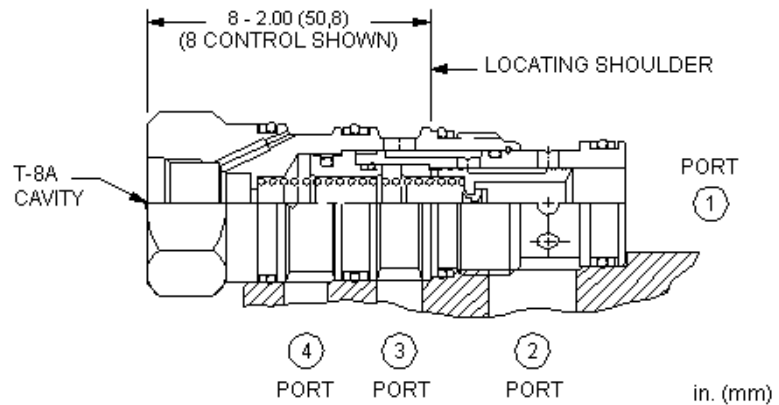
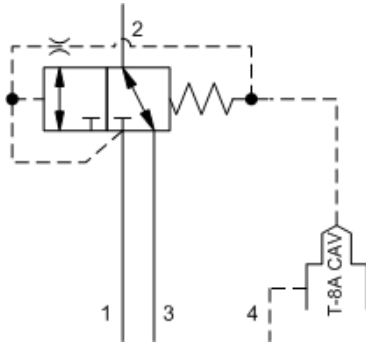
NOTES

Compound cartridge (pilot and main stage) assembly information is provided for reference only. Cartridges must be ordered separately and assembled at point of use.

CONFIGURATION OPTIONS

Model Code Example: DVBO8FN

CONTROL	(8)	MINIMUM CONTROL PRESSURE	(F)	SEAL MATERIAL	(N)
8 T-8A Cavity		F 100 psi (7 bar)		N Buna-N V Viton	



This valve is a, 3-way directional cartridge (1 blocked, 2 to 3 open) that incorporates an integral pilot control cavity. It may be used by itself or to actuate larger pilot-operated directional cartridges or logic elements. The valve shifts when there is flow through the pilot control cartridge installed in the T-8A cavity.

TECHNICAL DATA

NOTE: DATA MAY VARY BY CONFIGURATION. SEE CONFIGURATION SECTION.

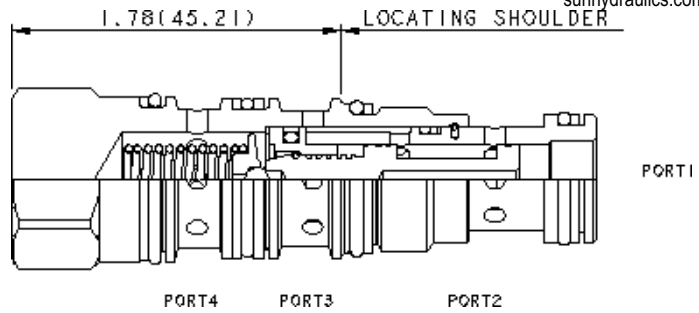
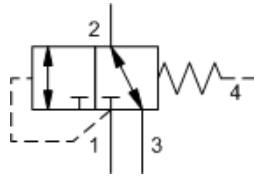
Maximum Operating Pressure	350 bar
Control Pilot Flow	0,11 - 0,16 L/min.
Maximum Valve Leakage at 110 SUS (24 cSt)	30 cc/min.@70 bar
Pilot Control Cavity	T-8A
Seal kit - Cartridge	Buna: 990022007
Seal kit - Cartridge	EPDM: 990022014
Seal kit - Cartridge	Polyurethane: 990022002
Seal kit - Cartridge	Viton: 990022006

NOTES Compound cartridge (pilot and main stage) assembly information is provided for reference only. Cartridges must be ordered separately and assembled at point of use.

CONFIGURATION OPTIONS

Model Code Example: DVCO8FN

CONTROL	(8) MINIMUM CONTROL PRESSURE (F)	SEAL MATERIAL (N)
8 T-8A Cavity	F 100 psi (7 bar)	N Buna-N E EPDM V Viton



Direct-acting, 3-way directional cartridges (1 blocked, 2 to 3 open) are switching devices typically used in moderate flow circuits. They can be used by themselves or to actuate larger pilot-operated directional cartridges or logic cartridges. The valve shifts when the pressure differential between port 1 and port 4 exceeds the setting.

TECHNICAL DATA

NOTE: DATA MAY VARY BY CONFIGURATION. SEE CONFIGURATION SECTION.

Factory Pressure Settings Established at	15 L/min.
Maximum Operating Pressure	350 bar
Maximum Valve Leakage at 110 SUS (24 cSt)	30 cc/min.
Seal kit - Cartridge	Buna: 990021007
Seal kit - Cartridge	Polyurethane: 990021002
Seal kit - Cartridge	Viton: 990021006

CONFIGURATION OPTIONS

Model Code Example: DRBOXFN

SHIFTING PRESSURE	(F)	SEAL MATERIAL	(N)	MATERIAL/COATING
F 100 psi (7 bar)		N Buna-N		Standard Material/Coating
		V Viton		/AP Stainless Steel, Passivated
				/LH Mild Steel, Zinc-Nickel

smart SOLUTIONS for DEMANDING applications



www.sunhydraulics.com

Sun Hydraulics Headquarters
Sarasota, Florida USA
(1) 941 362 1200
suninfo@sunhydraulics.com

Sun Hydraulics Limited
Coventry England
+44 2476 217 400
sales@sunuk.com

Sun Hydraulik GmbH
Erkelenz Germany
+49 2431 80910
sales@sunhydraulik.de

Enovation Controls, LLC
A Sun Hydraulics Company
Tulsa, OK USA
Ph: (1) 918-317-4100

Sun Hydraulics Korea Corp.
Incheon Korea
+82 3281 31350
sales@sunhydraulics.co.kr

Sun Hydraulics China Co. Ltd.
Shanghai P.R. China
+86 2151 162862
sunchinainfo@sunhydraulics.com

Sun Hydraulics Corp. (India)
Bangalore India
+91 8028 456325
sunindiainfo@sunhydraulics.com

High Country Tek, Inc
A Sun Hydraulics Company
Nevada City, California USA
(1) 530 265 3236
info@HCTcontrols.com